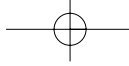
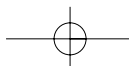
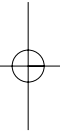
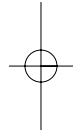
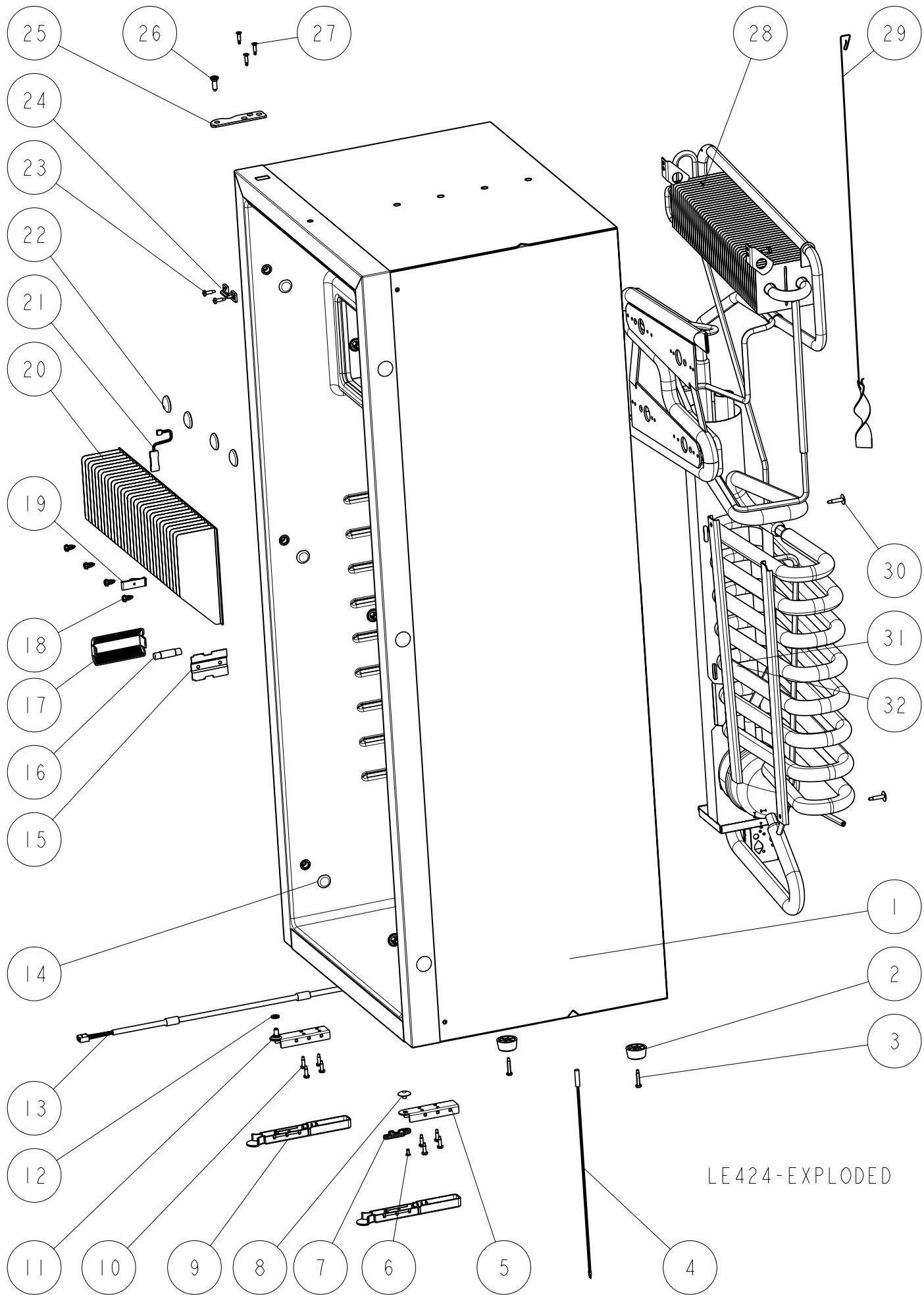


LE422 EXPLODED

**Controls LCD Curved (LE-442)****Spare part number**

1.	Overlay LCD	626975
2.	Control panel LCD Curved door	629720-07
3.	Screw	
4.	Push buttons	
5.	Display board LCD	626972

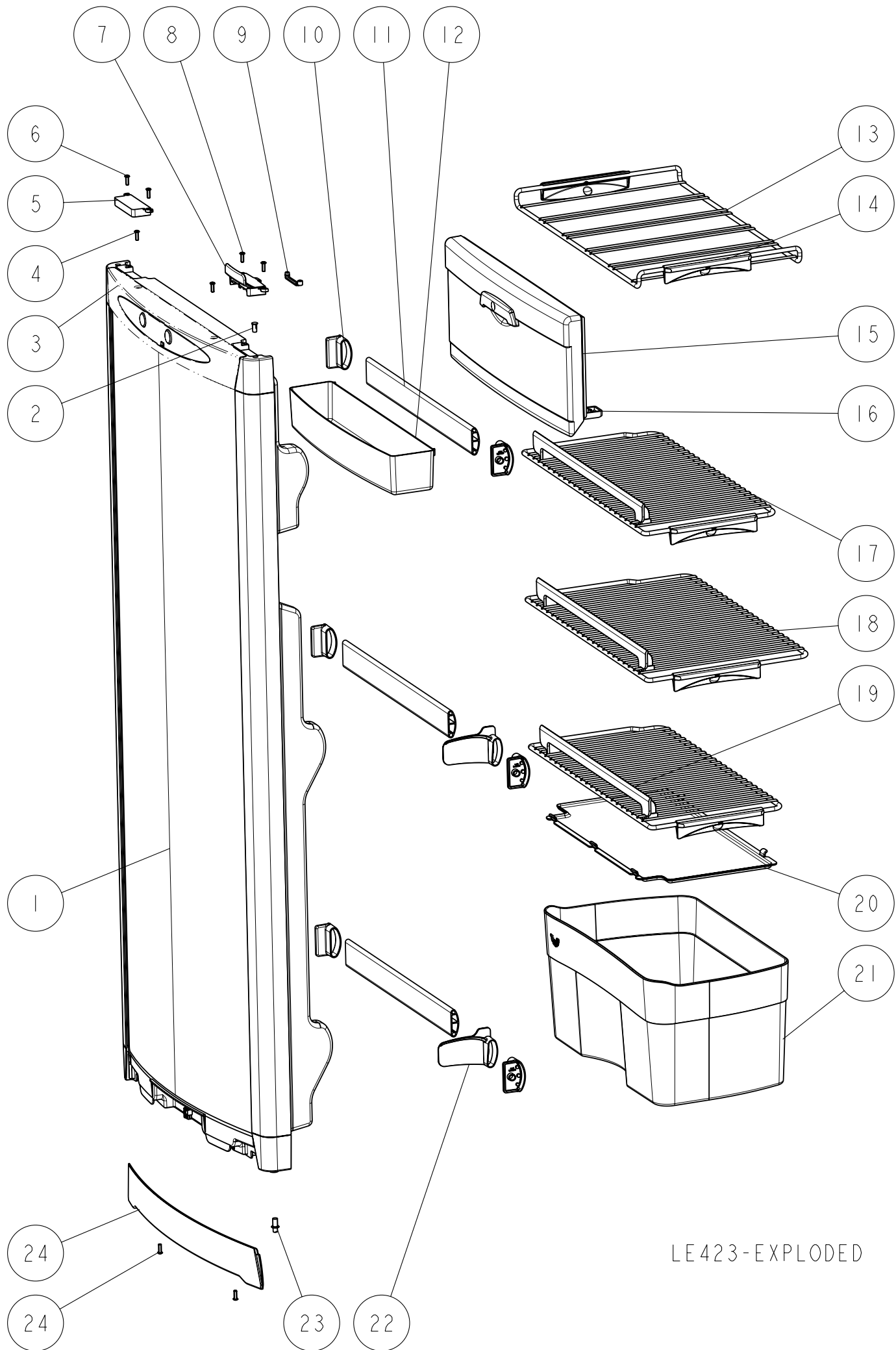




LE424-EXPLODED

Cabinet and cooling unit N180 (LE-424)**Spare part number**

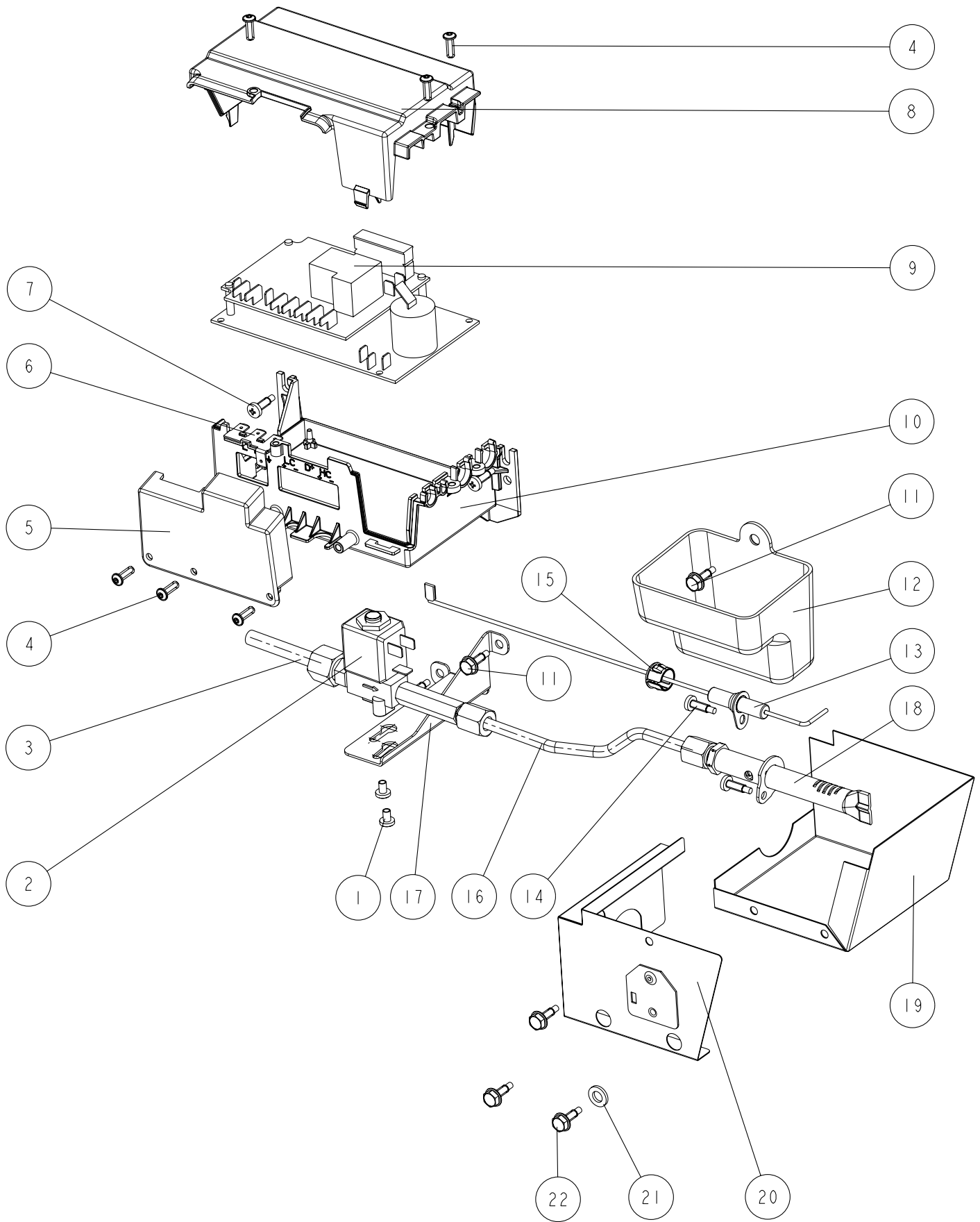
1.	Cabinet	
2.	Foot (2x)	
3.	Screw (2x)	
4.	Interior light switch	629722
5.	Latch plate bottom	
6.	Screw	
7.	Latch bottom	629721
8.	Ramp up	
9.	Hinge cap (2x)	
10.	Screw (8x)	
11.	Hinge plate bottom	
12.	Washer	
13.	Cable flexible	629723
14.	Cap (6x)	623622-08
15.	Light bracket	
16.	Interior light bulb	624003
17.	Interior light cover	624002
18.	Screw(4x)	
19.	Fin clip	623059
20.	Fin	
21.	Thermistor	623077
22.	Cap freezer bolt (4x)	624479-08
23.	Screw (4x)	
24.	Strike plate (2x)	
25.	Hinge plate	
26.	Hinge pin top/washer	
27.	Screws (3x)	
28.	Cooling unit	
29.	Heat diffuser	
30.	Screw (2x)	
31.	Heater AC	626992
32.	Heater DC	626993



LE423-EXPLODED

Door and cabinet interior N180 (LE-423)**Spare part number**

1.	Door curved XL IC 525	629724-07
2.	Hinge hole plug	
3.	Control panel	
4.	Screw (2x)	
5.	Pocket cover	
6.	Screw (2x)	
7.	Latch V2	
8.	Screw (2x)	
9.	Storage strap V2	626986-07
10.	Rail retainer	
11.	Door rail (3x)	
12.	Doorbin	629719
13.	Shelf bottle	629725
14.	Clip shelf large (5x)	623625-08
15.	Freezer door	623043-08
16.	Hinge freezer door (2x)	624680-08
17.	Shelf (2x)	629726
18.	Shelf	629727
19.	Shelf food retainer (3x)	624456-08
20.	Shelf tray insert	626981-12
21.	Vegetable bin	626980-12
22.	Bottle retainer	626989-12
23.	Bottom latch pin	
24.	Screw (2x)	
25.	Panel retainer	

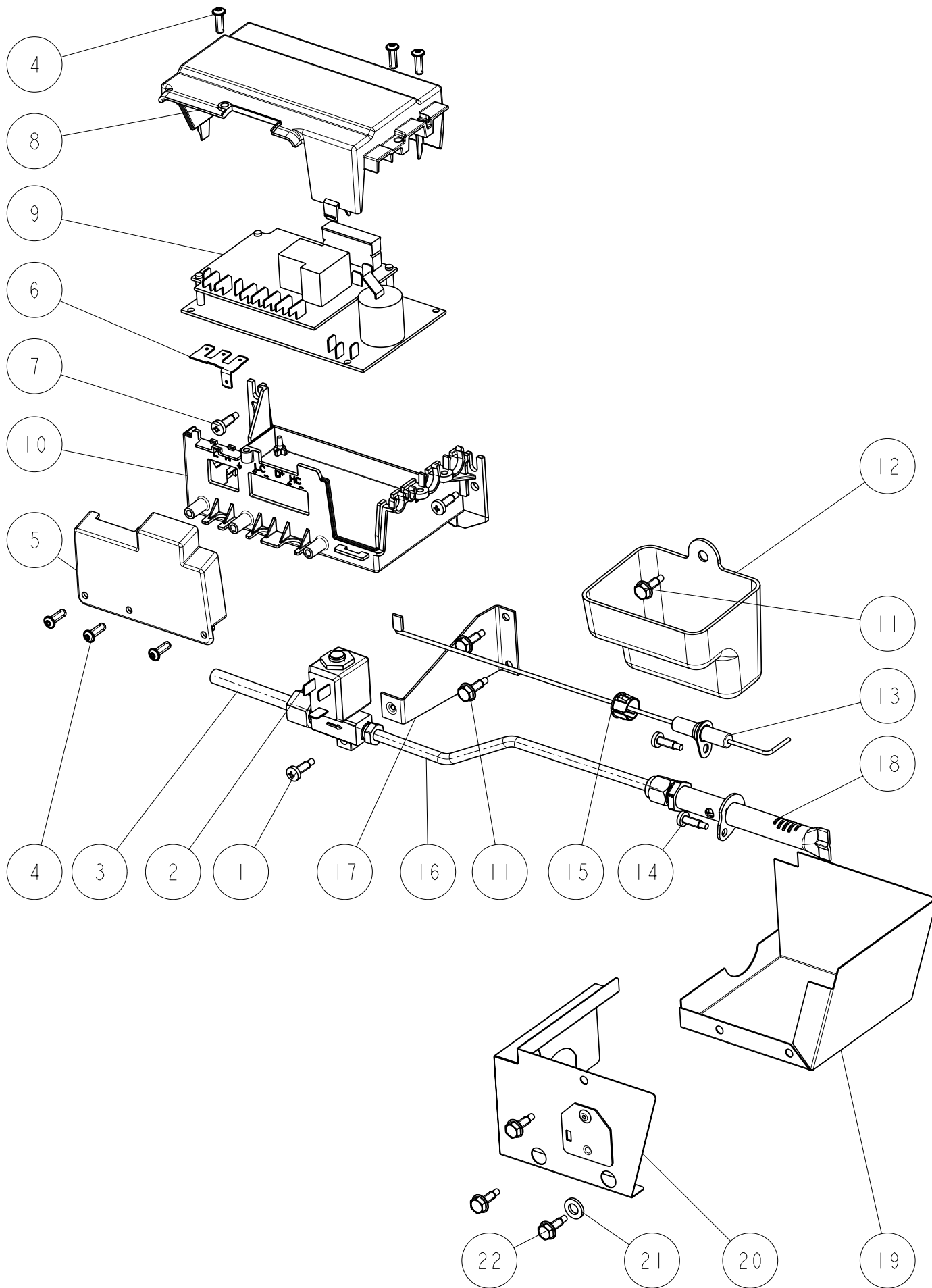


LE-233-EXPLODED

Power board and gas assembly N145-N150-N180 (LE-233)**Spare part number**

1.	Screw (2x)	
2.	Gas valve automatic V4 needs to be convert to Gas valve automatic V5	Not available 631248**
3.	Gas inlet tube	
4.	Screw (6x)	
5.	Strain relief cover	
6.	Earth connection	
7.	Screw (2x)	
8.	Power board cover	
<i>Smart Energy Selection Models</i>		
9.	Power board A V3	626970
<i>Electric Energy Selection Models</i>		
9.	Power board E V3	626971
10.	Power board base	
11.	Screw (3x)	
12.	Drip cup	
13.	Spark electrode	626987
14.	Screw (2x)	
15.	Bushing	
16.	Gastube	
17.	Mounting bracket gas valve	
18.	Burner	623058
19.	Burner box base	
20.	Burner box cover	
21.	Washer	
22.	Screw (3x)	

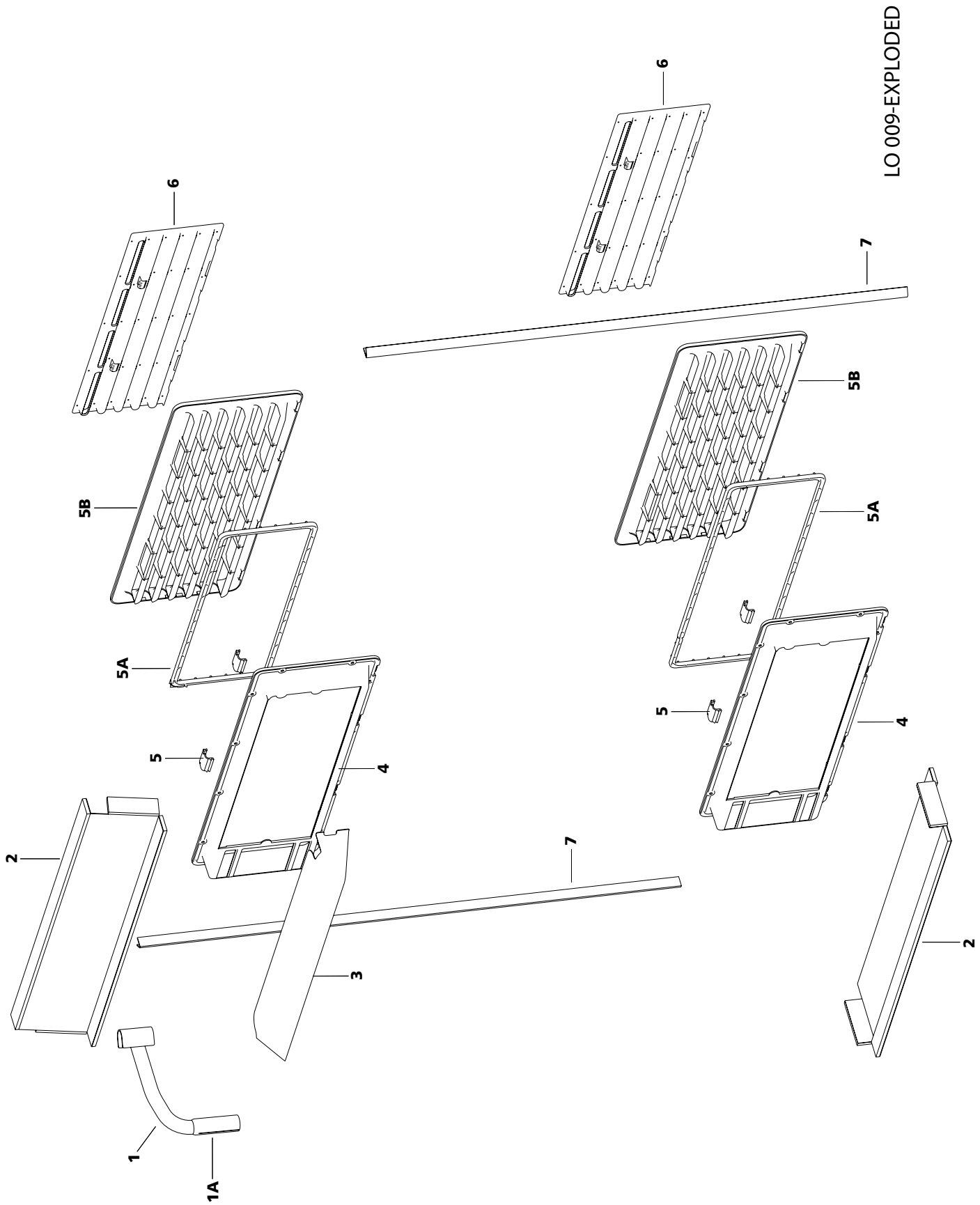
** When V4 has to be convert into V5, the gas inlet tube is also needed. Part number is depending on the model and can be found on the part itself.



LE-439 EXPLODED

Power board and gas assembly N145-N150-N180 (LE-439)**Spare part number**

1.	Screw (2x)	
2.	Gas valve automatic V5	630440
3.	Gas inlet tube	
4.	Screw (6x)	
5.	Strain relief cover	
6.	Earth connection	
7.	Screw (2x)	
8.	Power board cover	
<i>Smart Energy Selection Models</i>		
9.	Power board A V3	626970
<i>Electric Energy Selection Models</i>		
9.	Power board E V3	626971
10.	Power board base	
11.	Screw (3x)	
12.	Drip cup	
13.	Spark electrode	626987
14.	Screw (2x)	
15.	Bushing	
16.	Gastube	
17.	Mounting bracket gas valve	
18.	Burner	623058
19.	Burner box base	
20.	Burner box cover	
21.	Washer	
22.	Screw (3x)	



LO 009-EXPLODED

Seals - Vents - Exhaust for all models (LO-009)**Spare part number**

1.	Flue exhaust short	627008
	Flue exhaust long	624480
1a.	Clamp	
2.	Combustion flap 486	624021
	Combustion flap 525	624020
3.	Vent cap	625096
4.	Vent frame	624454-25/57/80/84
5.	Vent lock clip	628449
5a.	Vent screen	
5b.	Vent outer	
6.	Vent cover	624455-15/22/25/57/80/84
7.	Cabinet side seal 605	624478
	Cabinet side seal 821	624477
	Cabinet side seal 1245	624476