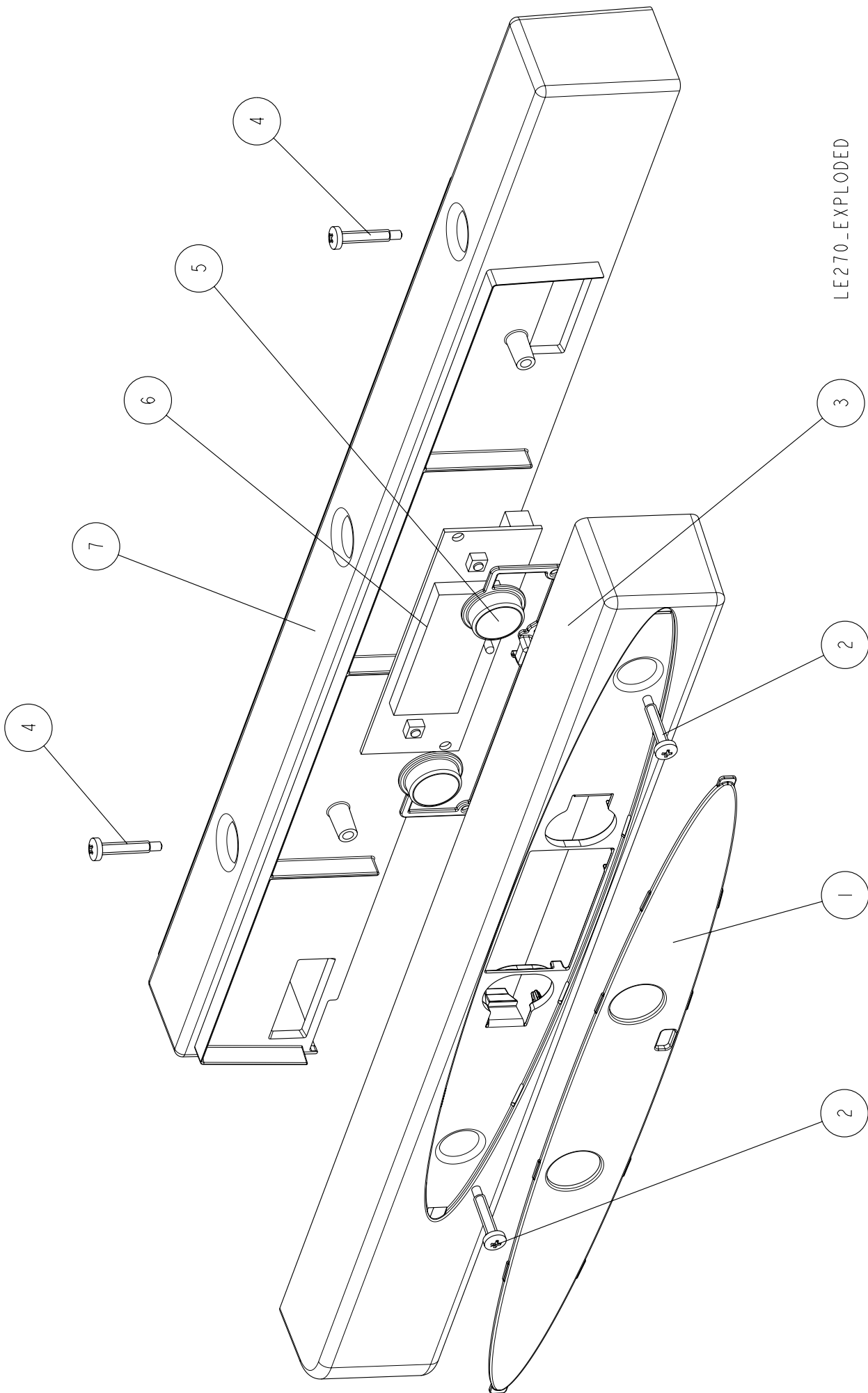


LED01-EXPLODED

Controls LED Fridge freezer (LED-01)**Spare part number**

1.	Control panel LED	627003-07
2.	Overlay LED fridge freezer	625684
3.	Display board LED V2	626997
4.	Insulator	
5.	Push on nut	
6.	Cover center hinge	
7.	Bracket	



LE270_EXPLODED

Controls LCD Flat (LE-270)**Spare part number**

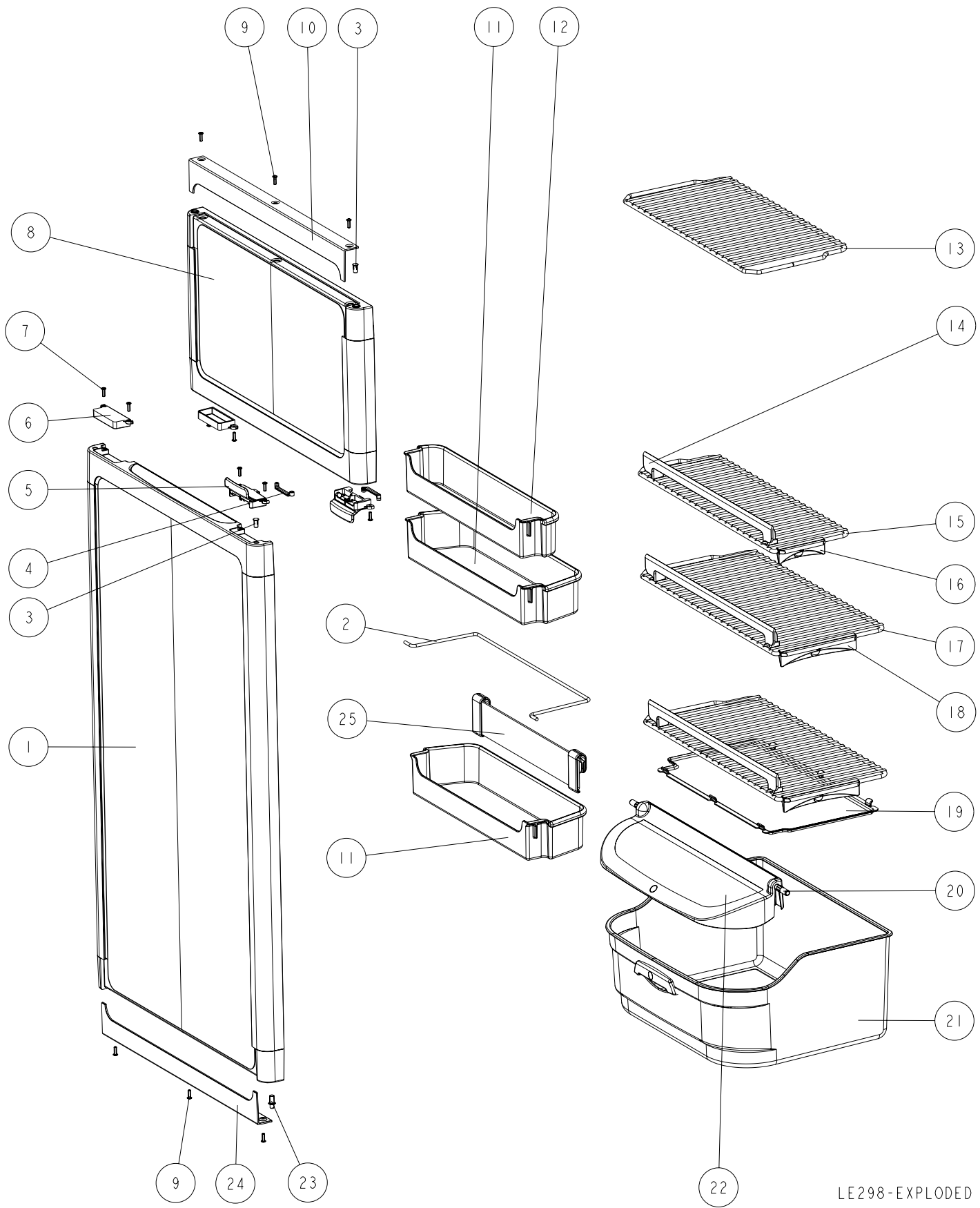
1.	Overlay LCD	626975
2.	Screw	
3.	Control panel LCD flat	626974-07
4.	Screw	
5.	Push buttons	
6.	Display board LCD	626972
7.	Mounting box*	

* **Not for all models**

Cabinet and cooling unit N145-N150 (LE-232)**Spare part number**

1.	Cabinet	
2.	Foot (4x)	
3.	Screw* (9x)	
4.	Bottom latch plate*	
5.	Latch bottom*	624001-27
6.	Hinge plate	
7.	Hinge pin bottom/washer	
8.	Fin clip	623059
9.	Thermistor	623077
10.	Screw (4x)	
11.	Fin	
12.	Screw (4x)	
13.	Strike plate (2x)	
14.	Screw (4x)	
15.	Hinge center pin	
16.	Hinge center bracket	
17.	Cap freezer bolt (4x)	624479-08
18.	Hinge plate	
19.	Hinge pin top/washer	
20.	Cap (6x)	623622-08
21.	Interior light switch	623061
22.	Light bracket	
23.	Interior light bulb	624003
24.	Interior light cover	624002
25.	Heat diffuser	
26.	Screw (2x)	
27.	Cooling unit	
28.	Heater AC	626992
29.	Heater DC	626993
30.	Screw (2x)	

* **Not for all models**

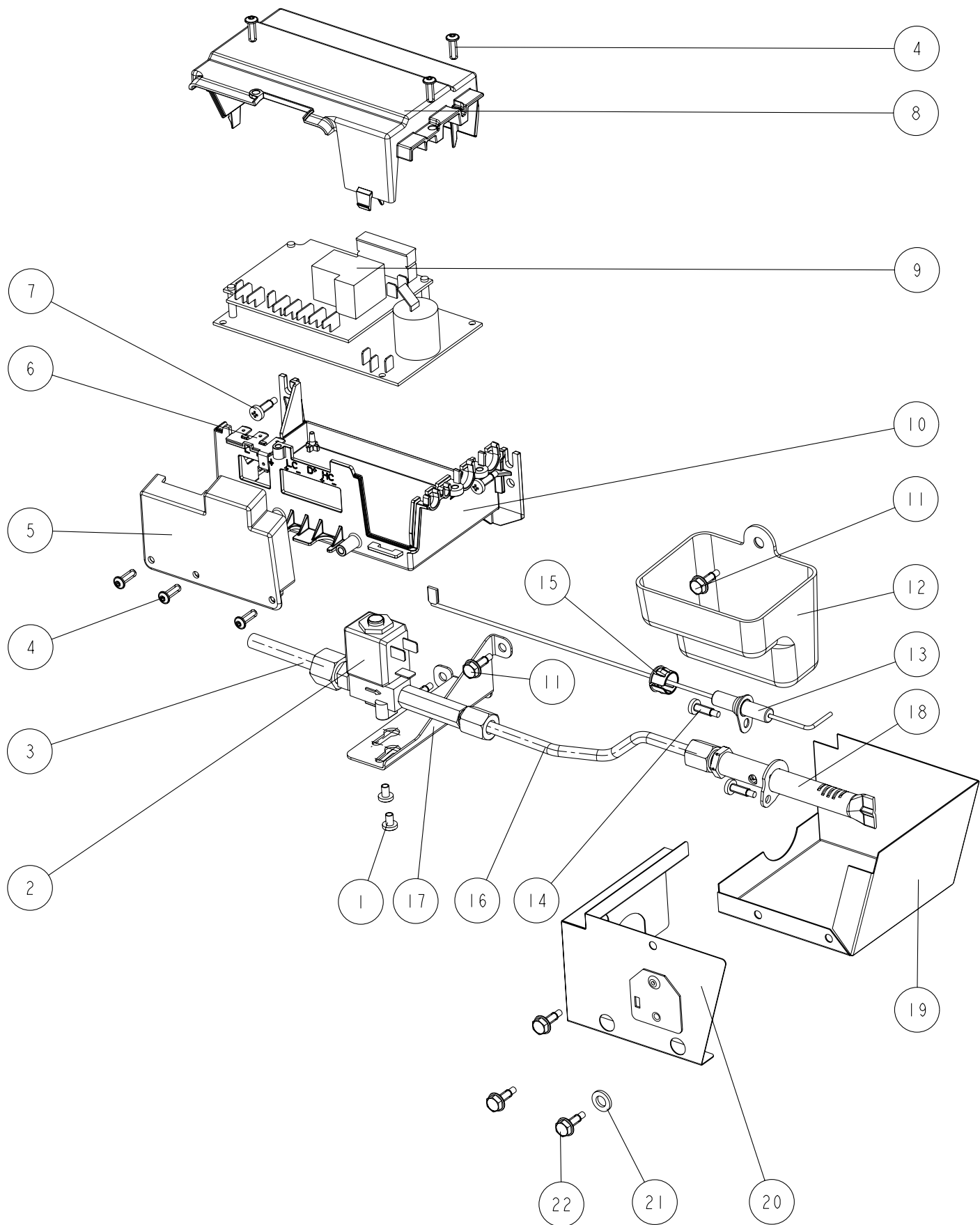


LE298-EXPLODED

Door and cabinet interior N145 (LE-298)**Spare part number**

1.	Door flat double cab.	625094-07
2.	Bottle retainer	
3.	Hinge hole plug (2x)	
4.	Storage strap V2 (2x)	626986-07
5.	Latch V2 (2x)	626985-07
6.	Pocket cover (2x)	
7.	Screw (8x)	
8.	Door flat double fr.	625095-07
9.	Screw (6x)	
10.	Panel retainer	
11.	Doorbin (2x)	624023-08 624023-12
12.	Doorbin	623040-08 623040-12
13.	Shelf	623633-08
14.	Shelf food retainer (3x)	624456-08
15.	Shelf	623044-08
16.	Clip shelf small	623626-08
17.	Shelf	623045-08
18.	Clip shelf large (2x)	623625-08
19.	Shelf tray insert	623636-12
20.	Hinge pin	
21.	Vegetable bin	623619
22.	Flip top cover	623616
23.	Bottom latch pin*	
24.	Panel retainer	

* **Not for all models**

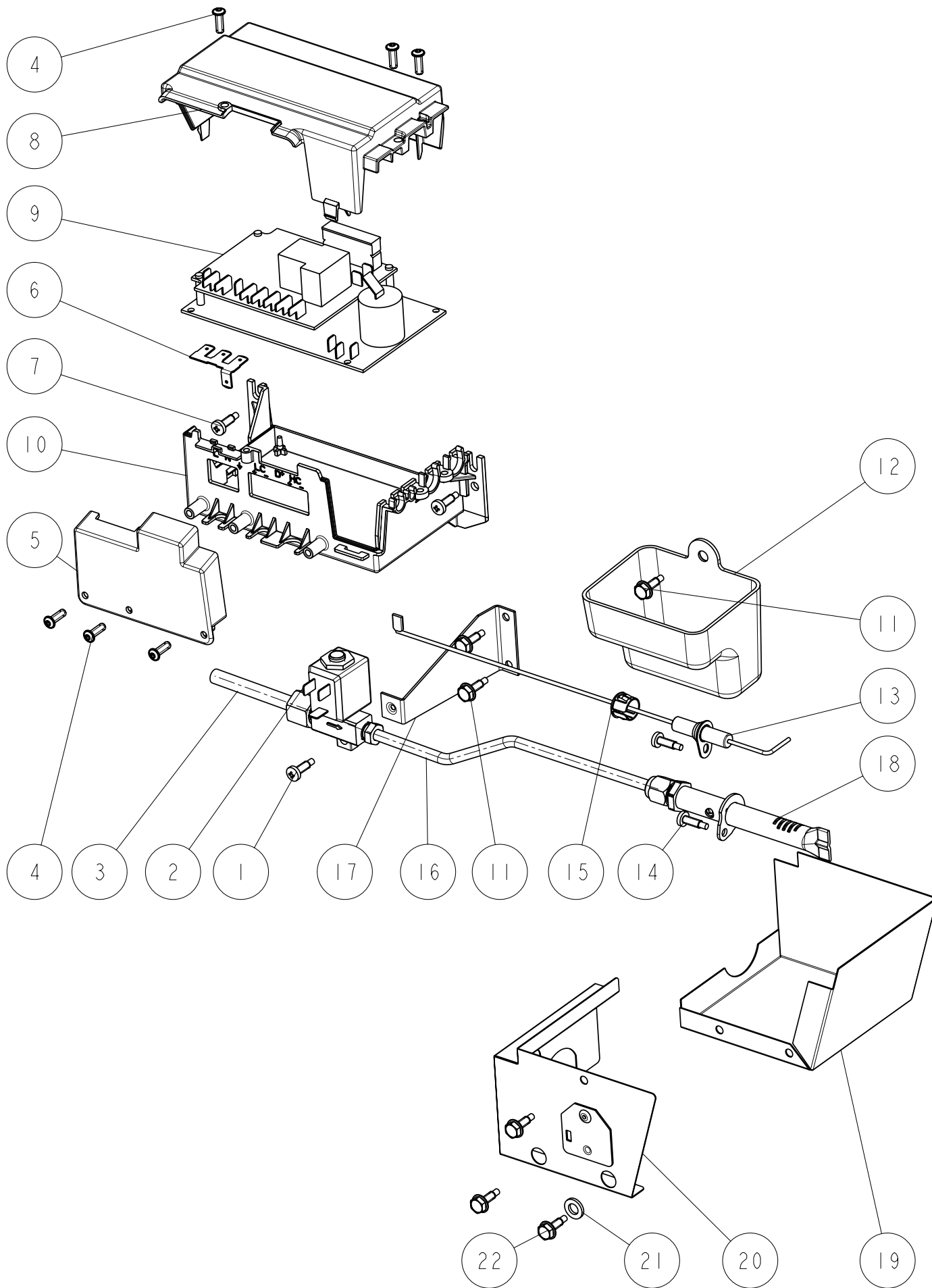


LE-233-EXPLODED

Power board and gas assembly N145-N150-N180 (LE-233)**Spare part number**

1.	Screw (2x)	
2.	Gas valve automatic V4 needs to be convert to Gas valve automatic V5	Not available 631248**
3.	Gas inlet tube	
4.	Screw (6x)	
5.	Strain relief cover	
6.	Earth connection	
7.	Screw (2x)	
8.	Power board cover	
<i>Smart Energy Selection Models</i>		
9.	Power board A V3	626970
<i>Electric Energy Selection Models</i>		
9.	Power board E V3	626971
10.	Power board base	
11.	Screw (3x)	
12.	Drip cup	
13.	Spark electrode	626987
14.	Screw (2x)	
15.	Bushing	
16.	Gastube	
17.	Mounting bracket gas valve	
18.	Burner	623058
19.	Burner box base	
20.	Burner box cover	
21.	Washer	
22.	Screw (3x)	

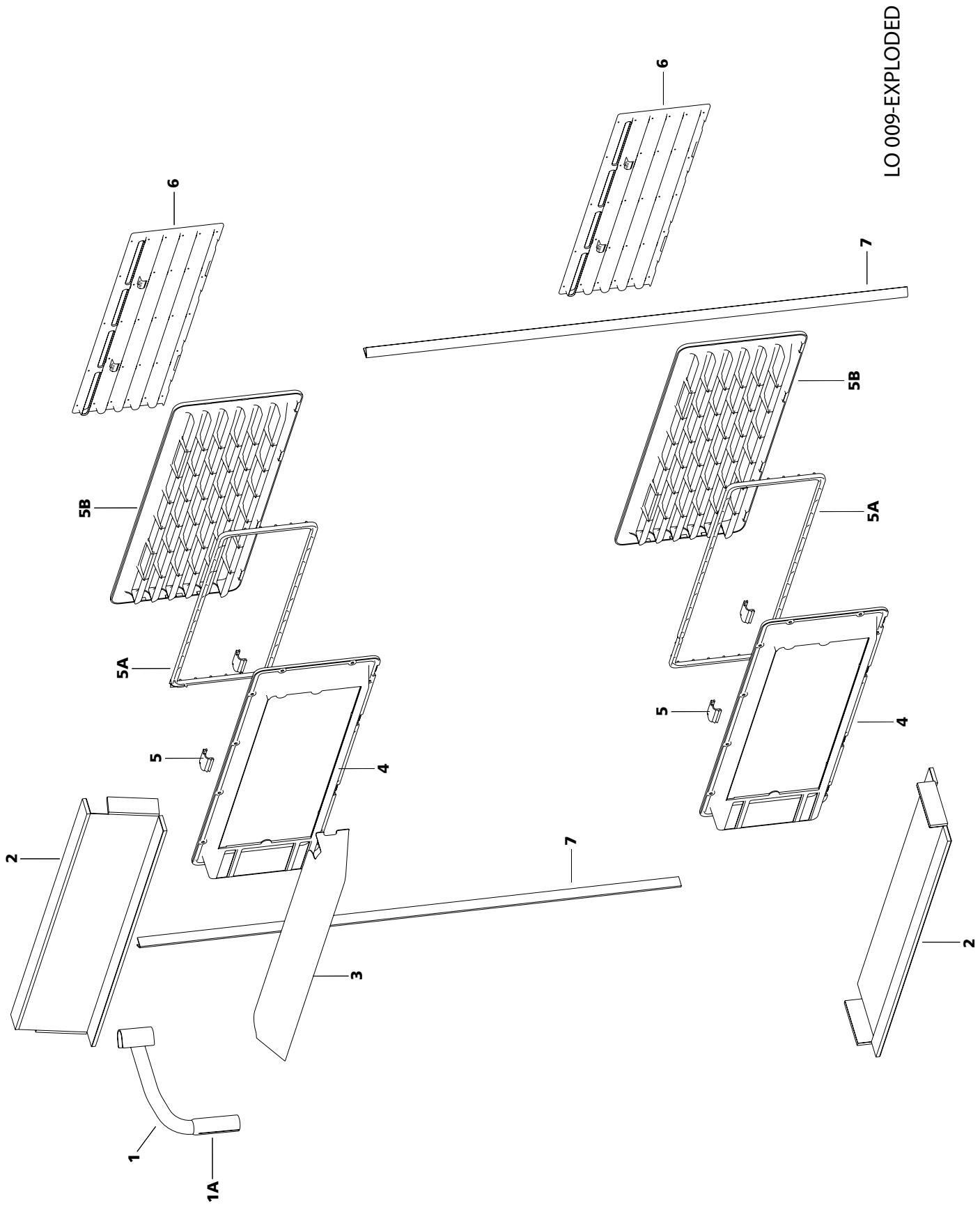
** When V4 has to be convert into V5, the gas inlet tube is also needed. Part number is depending on the model and can be found on the part itself.



LE-439 EXPLODED

Power board and gas assembly N145-N150-N180 (LE-439)**Spare part number**

1.	Screw (2x)	
2.	Gas valve automatic V5	630440
3.	Gas inlet tube	
4.	Screw (6x)	
5.	Strain relief cover	
6.	Earth connection	
7.	Screw (2x)	
8.	Power board cover	
<i>Smart Energy Selection Models</i>		
9.	Power board A V3	626970
<i>Electric Energy Selection Models</i>		
9.	Power board E V3	626971
10.	Power board base	
11.	Screw (3x)	
12.	Drip cup	
13.	Spark electrode	626987
14.	Screw (2x)	
15.	Bushing	
16.	Gastube	
17.	Mounting bracket gas valve	
18.	Burner	623058
19.	Burner box base	
20.	Burner box cover	
21.	Washer	
22.	Screw (3x)	



LO 009-EXPLODED

Seals - Vents - Exhaust for all models (LO-009)**Spare part number**

1.	Flue exhaust short	627008
	Flue exhaust long	624480
1a.	Clamp	
2.	Combustion flap 486	624021
	Combustion flap 525	624020
3.	Vent cap	625096
4.	Vent frame	624454-25/57/80/84
5.	Vent lock clip	628449
5a.	Vent screen	
5b.	Vent outer	
6.	Vent cover	624455-15/22/25/57/80/84
7.	Cabinet side seal 605	624478
	Cabinet side seal 821	624477
	Cabinet side seal 1245	624476