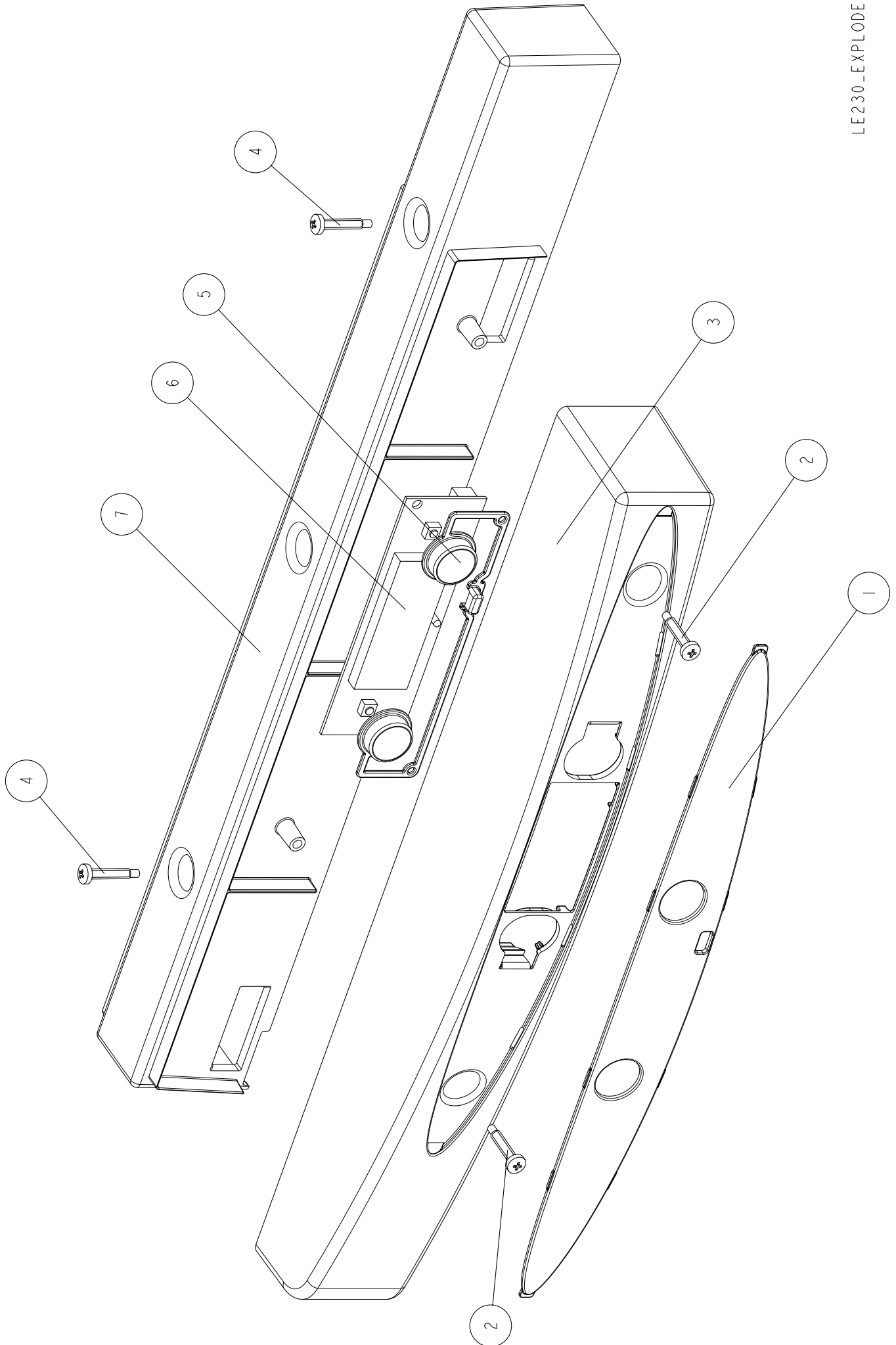


LED00-EXPLODED

Controls LED (LED-00)**Spare part number**

1.	Control panel LED	627002-07
2.	Overlay LED	627000
3.	Display board LED V2	626997
4.	Insulator	
5.	Push on nut	
6.	Bracket	

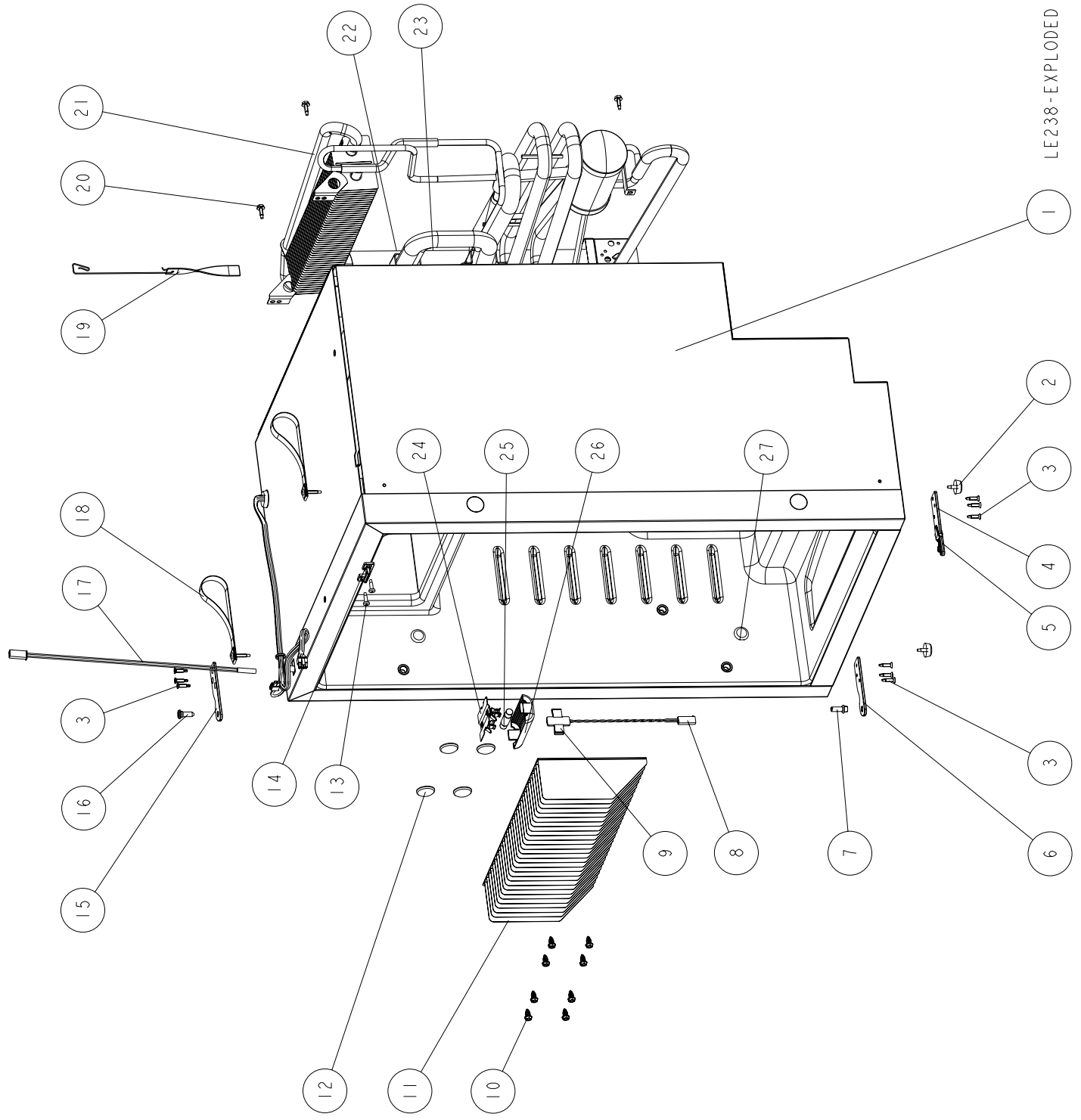


LE230_EXPLODED

Controls LCD Curved (LE-230)**Spare part number**

1.	Overlay LCD	626975
2.	Screw	
3.	Control panel LCD curved	626973-07
4.	Screw	
5.	Push buttons	
6.	Display board LCD	626972
7.	Mounting box*	

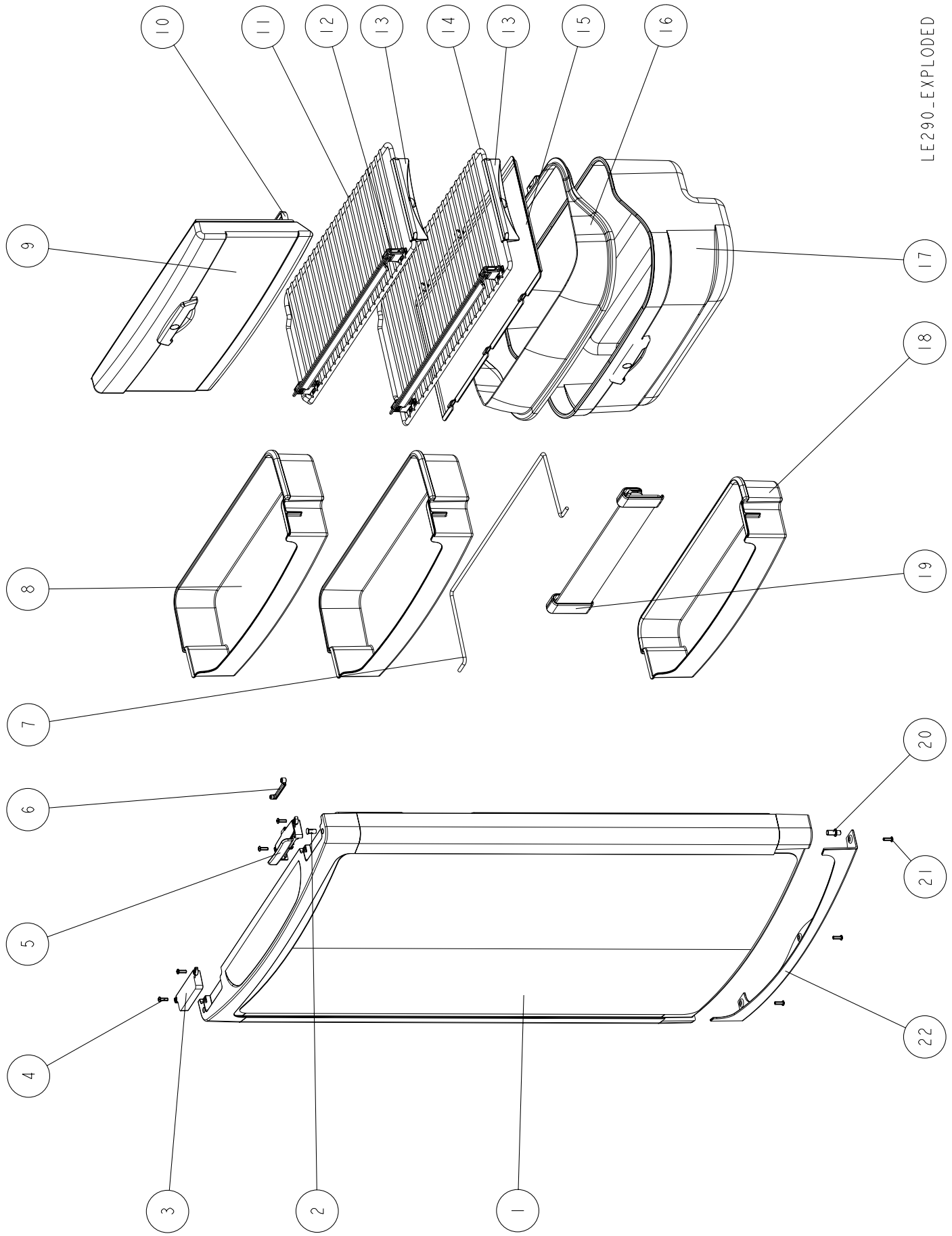
* **Not for all models**



Cabinet and cooling unit N90-N97-N112 (LE-238)**Spare part number**

1.	Cabinet	
2.	Foot (2x)	
3.	Screw* (9x)	
4.	Bottom latch plate*	
5.	Latch bottom*	624001-27
6.	Hinge plate	
7.	Hinge pin bottom/washer	
8.	Thermistor	623077
9.	Fin clip	623059
10.	Screw (8x)	
11.	Fin	
12.	Cap freezer bolt (4x)	624479-08
13.	Screw (2x)	
14.	Strike plate	
15.	Hinge plate	
16.	Hinge pin top/washer	
17.	Interior light switch	623061
18.	Strap (2x)	
19.	Heat diffuser	
20.	Screw (2x)	
21.	Cooling unit	
22.	Heater AC	626994
23.	Heater DC	626995
24.	Light bracket	
25.	Interior light bulb	624003
26.	Interior light cover	624002
27.	Cap (4x)	623622-08

* **Not for all models**



LE290_EXPLODED

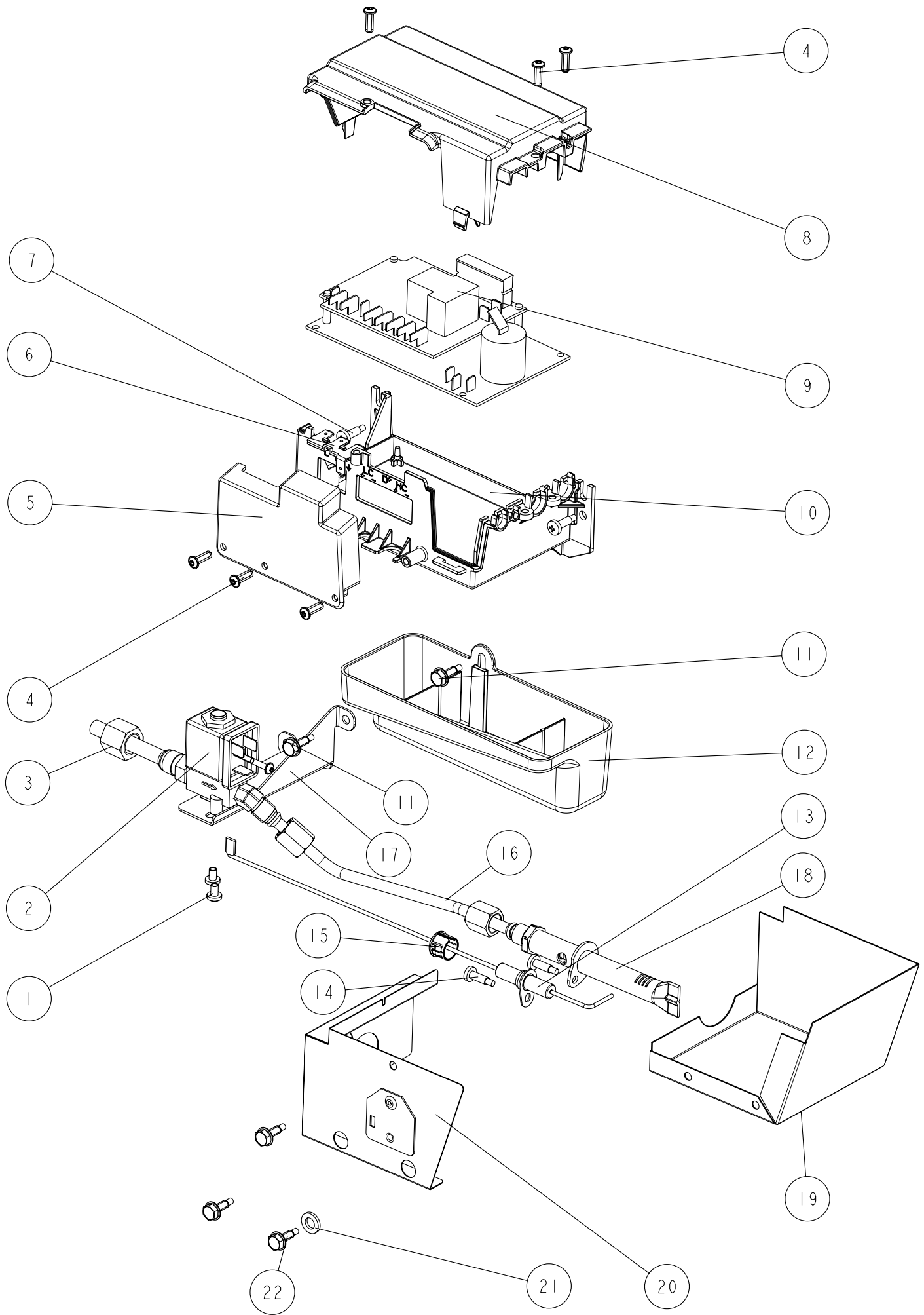
Door and cabinet interior N112 (LE-290)**Spare part number**

1.	Door curved low 525	626984-07
2.	Hinge hole plug	
3.	Pocket cover	
4.	Screw (4x)	
5.	Latch V2	626985-07
6.	Storage strap V2	626986-07
7.	Bottle retainer	
8.	Doorbin (2x)	625102-12
9.	Freezer door	623043-08
10.	Hinge freezer door (2x)	624680-08
11.	Shelf	623051-08
12.	Shelf food retainer (2x)	624457-08
13.	Clip shelf large	623625-08
14.	Shelf	626643-08
15.	Shelf tray insert	626642-12
16.	Top cover***	626641-12
17.	Vegetable bin***	623617
18.	Doorbin	623053-12
19.	Bottle retainer	623042-12
20.	Bottom latch pin*	
21.	Screw (3x)	
22.	Panel retainer	

* **Not for all models**

*** **Model change as from July 2005.**

Before this date both parts can not be replaced separately, replace both.

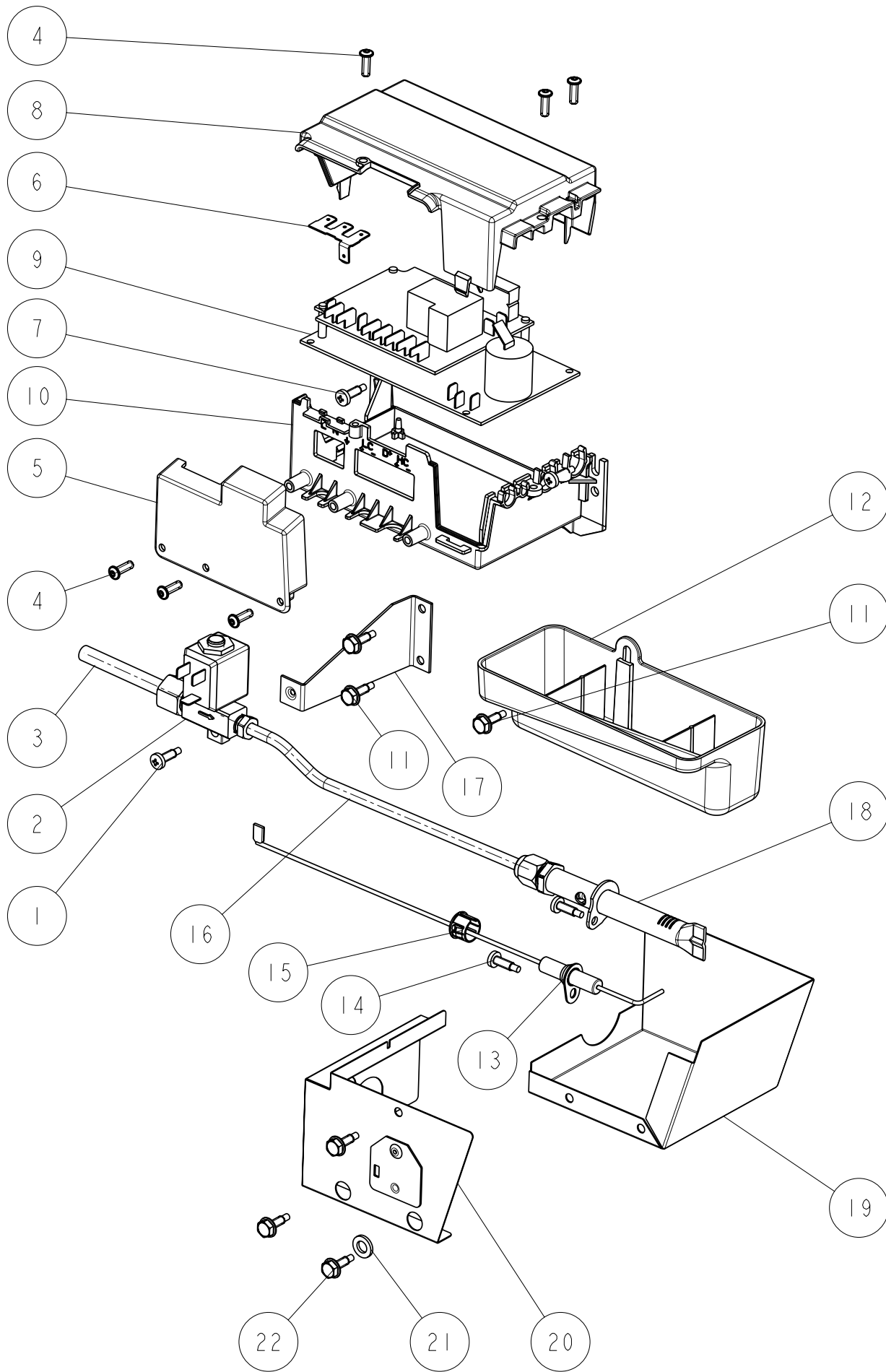


LE236_EXPLODED

Power board and gas assembly N90-N97-N109-N112 (LE-236)**Spare part number**

1.	Screw (2x)	
2.	Gas valve automatic V3 needs to be convert to Gas valve automatic V5	Not available 631249**
3.	Gas inlet tube	
4.	Screw (6x)	
5.	Strain relief cover	
6.	Earth connection	
7.	Screw (2x)	
8.	Power board cover	
<i>Smart Energy Selection Models</i>		
9.	Power board A V3	626970
<i>Electric Energy Selection Models</i>		
9.	Power board E V3	626971
10.	Power board base	
11.	Screw (3x)	
12.	Drip cup	
13.	Spark electrode	626988
14.	Screw (2x)	
15.	Bushing	
16.	Gastube	
17.	Mounting bracket gas valve	
18.	Burner	623019
19.	Burner box base	
20.	Burner box cover	
21.	Washer	
22.	Screw (3x)	

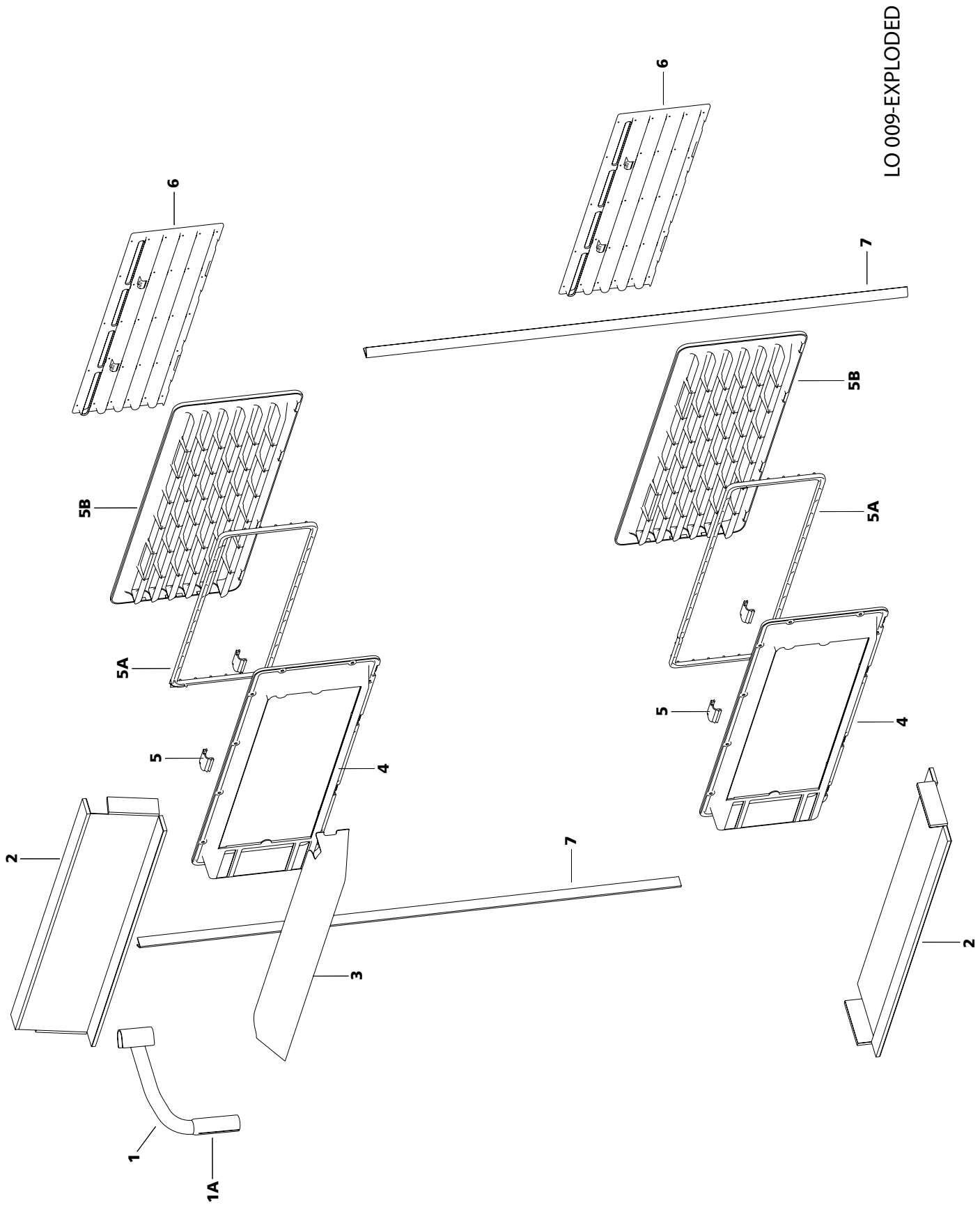
** When V3 has to be convert into V5, the gas inlet tube is also needed. Part number is depending on the model and can be found on the part itself.



LE440_EXPLODED

Power board and gas assembly N90-N97-N109-N112 (LE-440)**Spare part number**

1.	Screw (1x)	
2.	Gas valve automatic V5	630440
3.	Gas inlet tube	
4.	Screw (6x)	
5.	Strain relief cover	
6.	Earth connection	
7.	Screw (2x)	
8.	Power board cover	
	<i>Smart Energy Selection Models</i>	
9.	Power board A V3	626970
	<i>Electric Energy Selection Models</i>	
9.	Power board E V3	626971
10.	Power board base	
11.	Screw (3x)	
12.	Drip cup	
13.	Spark electrode	626988
14.	Screw (2x)	
15.	Bushing	
16.	Gastube	
17.	Mounting bracket gas valve	
18.	Burner	623019
19.	Burner box base	
20.	Burner box cover	
21.	Washer	
22.	Screw (3x)	



LO 009-EXPLODED

Seals - Vents - Exhaust for all models (LO-009)**Spare part number**

1.	Flue exhaust short	627008
	Flue exhaust long	624480
1a.	Clamp	
2.	Combustion flap 486	624021
	Combustion flap 525	624020
3.	Vent cap	625096
4.	Vent frame	624454-25/57/80/84
5.	Vent lock clip	628449
5a.	Vent screen	
5b.	Vent outer	
6.	Vent cover	624455-15/22/25/57/80/84
7.	Cabinet side seal 605	624478
	Cabinet side seal 821	624477
	Cabinet side seal 1245	624476