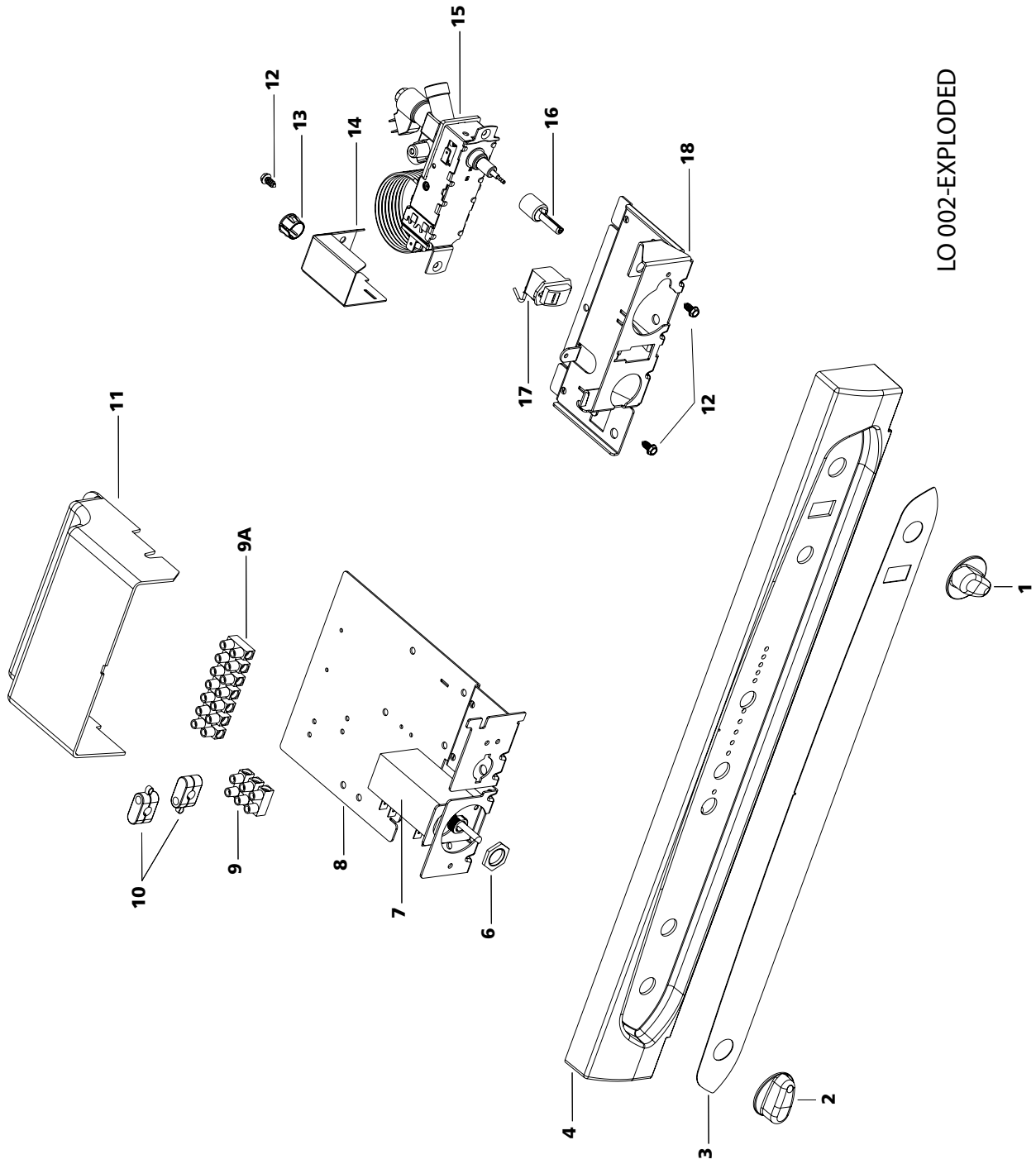


LO 001-EXPLODED

**Controls Piezo ignition 525 (LO-001)****Spare part number**

1.	Control knob	623026-07
2.	Control knob	625682-07
3.	Overlay Piezo 525	626622
4.	Control panel	
5.	Piezo igniter grey	625689
6.	Nut	
7.	Selector switch 5p	623400
7.	Selector switch 6p	626999**
8.	Bracket piezo/switch	
9.	Terminal strip AC	
9a.	Terminal strip DC	
10.	Strain relief	
11.	AC control cover	
12.	Screw (3x)	
13.	Bushing	
14.	AC cover TGV	
15.	Gas valve manual V2	625688-07
16.	Axle TGV	
17.	Flame meter	623029
18.	Bracket TGV	

\*\* as from July 1<sup>st</sup> 2005

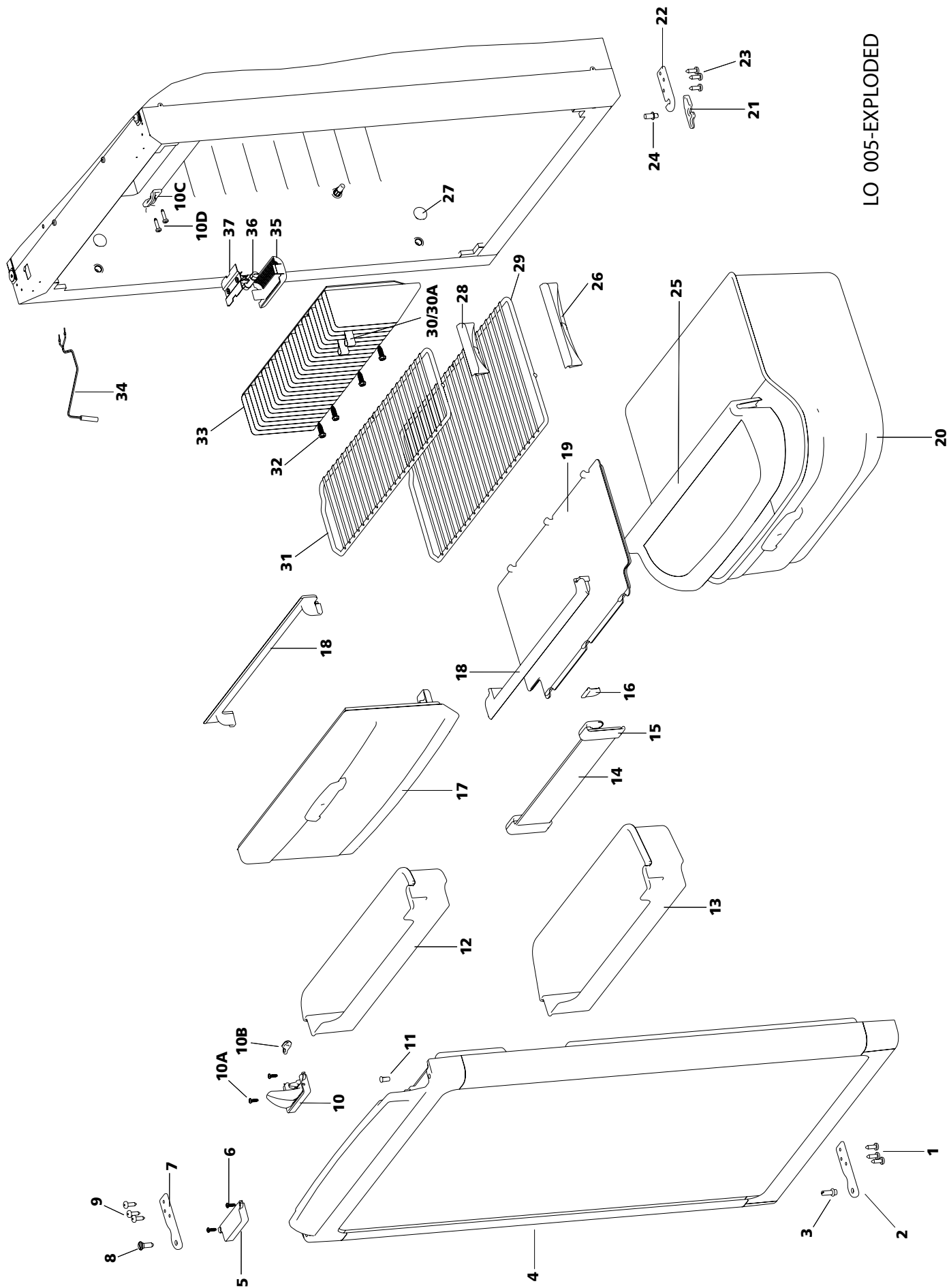


LO 002-EXPLODED

**Controls Electric ignition 525 (LO-002)****Spare part number**

1.	Control knob	623026-07
2.	Control knob	625682-07
3.	Overlay Electric 525	626623
4.	Control panel	627002-07
6.	Nut	
7.	Selector switch 5p	623400
7.	Selector switch 6p	626999**
8.	Bracket piezo/switch	
9.	Terminal strip AC	
9a.	Terminal strip DC	
10.	Strain relief	
11.	AC control cover	
12.	Screw(3x)	
13.	Bushing	
14.	AC cover TGV	
15.	Gas valve manual V2	625688-07
16.	Axle TGV	
17.	Flame meter	623029
18.	Bracket TGV	

\*\* as from July 1<sup>st</sup> 2005

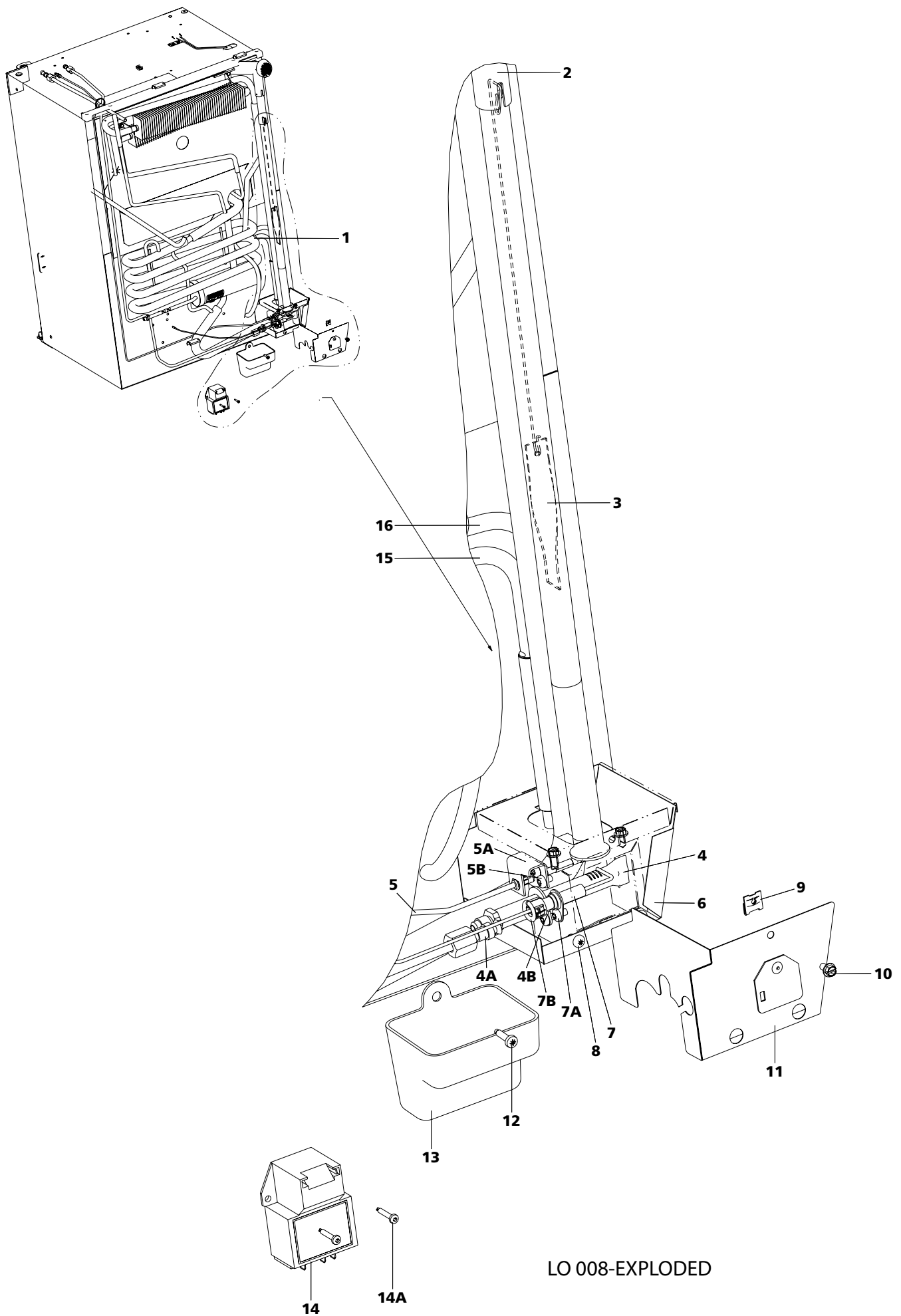


LO 005-EXPLODED

**Interior and Door N110 (LO-005)****Spare part number**

1.	Screw (3x)	
2.	Hinge plate	
3.	Hinge pin bottom/washer	
4.	Door tearcurved low 525	627006-90
5.	Pocket cover	
6.	Screw (2x)	
7.	Hinge plate	
8.	Hinge pin top/washer	
9.	Screw (3x)	
10.	Latch V1	627007-90
10a.	Screw (2x)	
10b.	Storage strap V1	624679-07
10c.	Strike plate	
10d.	Screw (2x)	
11.	Hinge hole plug	
12.	Doorbin	624025-12
13.	Doorbin	623053-12
14.	Bottle retainer	
15.	Strap bumper	623042-12
16.	Strap clip	
17.	Freezer door	623043-08
	Hinge freezer door	624680-08
18.	Shelf food retainer	624456-08
19.	Shelf tray insert	623635-12
20.	Vegetable bin	623618
21.	Latch bottom*	624001-27
22.	Bottom latch plate*	
23.	Screw* (3x)	
24.	Latch pin lower*	
25.	Flip top cover	623615
26.	Clip shelf large	623625-08
27.	Cap (4x)	623622-08
28.	Clip shelf small	623626-08
29.	Shelf	623055-08
30.	Fin clip	623023
31.	Shelf	623047-08
32.	Screw (4x)	
33.	Fin	
34.	Interior light switch	623018-08
35.	Interior light cover	624002
36.	Interior light bulb	624003
37.	Light bracket	

\* **Not for all models**

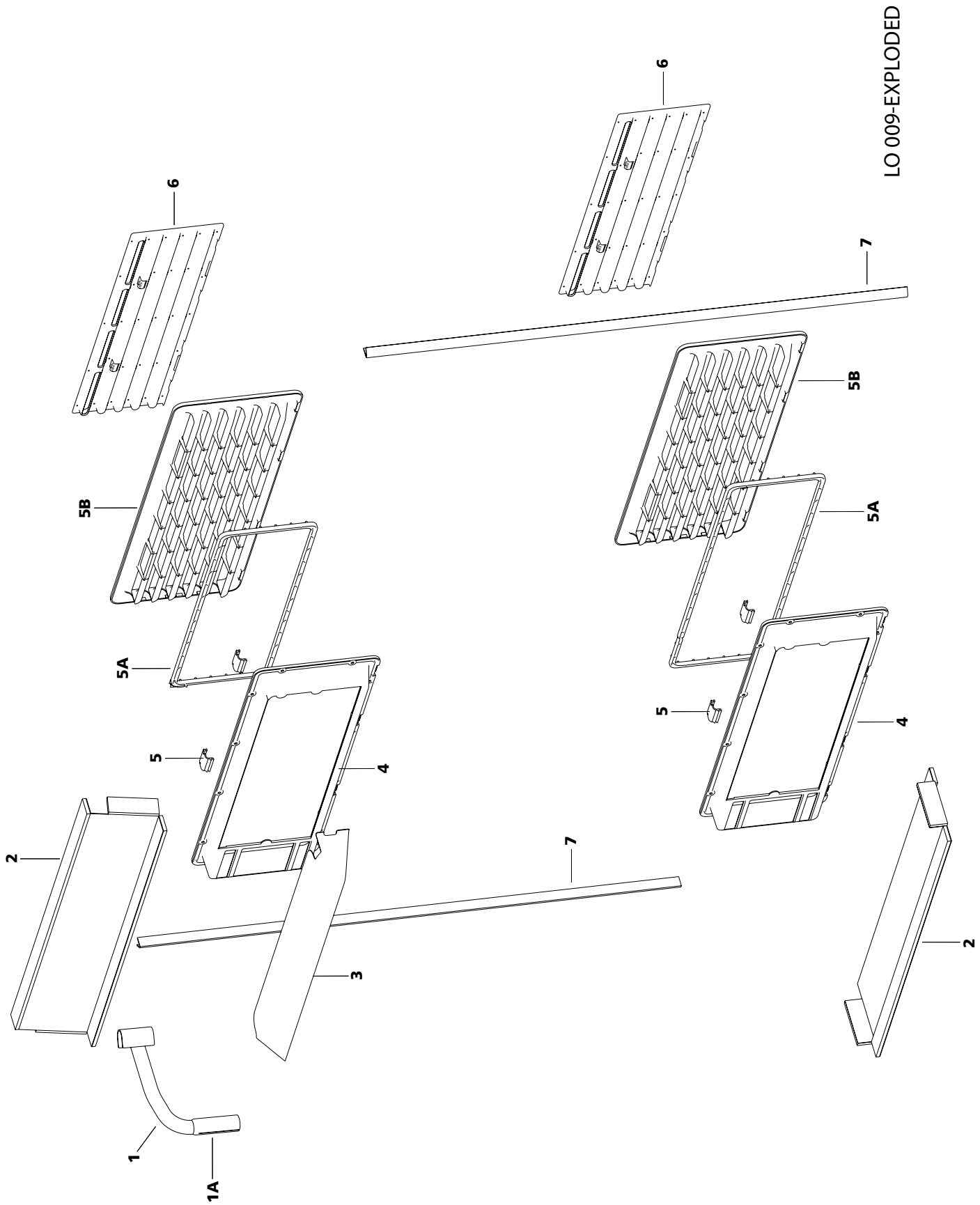


**Cooling unit and burner box N100-N110 (LO-008)****Spare part number**

1.	Cooling unit	
2.	Flue exhaust short	627008
3.	Flame diffuser	
4.	Burner	623019
4a.	Orifice	
4b.	Screw	
5.	Thermocouple V2	625681
5a.	Retainer thermocouple	
5b.	Screw (2x)	
6.	Burner box base	
	<i>Piezo ignition</i>	
7.	Spark electrode	627004
7a.	Screw	
7b.	Bushing	
	<i>Electrical ignition</i>	
7.	Spark electrode	623021
7a.	Screw	
7b.	Bushing	
8.	Screw (2x)	
9.	Speed nut	624027
10.	Screw insulation cover	624026
11.	Burner box cover	
12.	Screw	
13.	Drip cup	
	<i>Electrical models</i>	
14.	Electronic ignition	623022
14a.	Screw (2x)	
15.	Heater AC	623064 628450**
16.	Heater DC	623065

\*\* As from July 1<sup>st</sup> 2005





LO 009-EXPLODED

**Seals - Vents - Exhaust for all models (LO-009)****Spare part number**

1.	Flue exhaust short	627008
	Flue exhaust long	624480
1a.	Clamp	
2.	Combustion flap 486	624021
	Combustion flap 525	624020
3.	Vent cap	625096
4.	Vent frame	624454-25/57/80/84
5.	Vent lock clip	628449
5a.	Vent screen	
5b.	Vent outer	
6.	Vent cover	624455-15/22/25/57/80/84
7.	Cabinet side seal 605	624478
	Cabinet side seal 821	624477
	Cabinet side seal 1245	624476