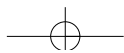
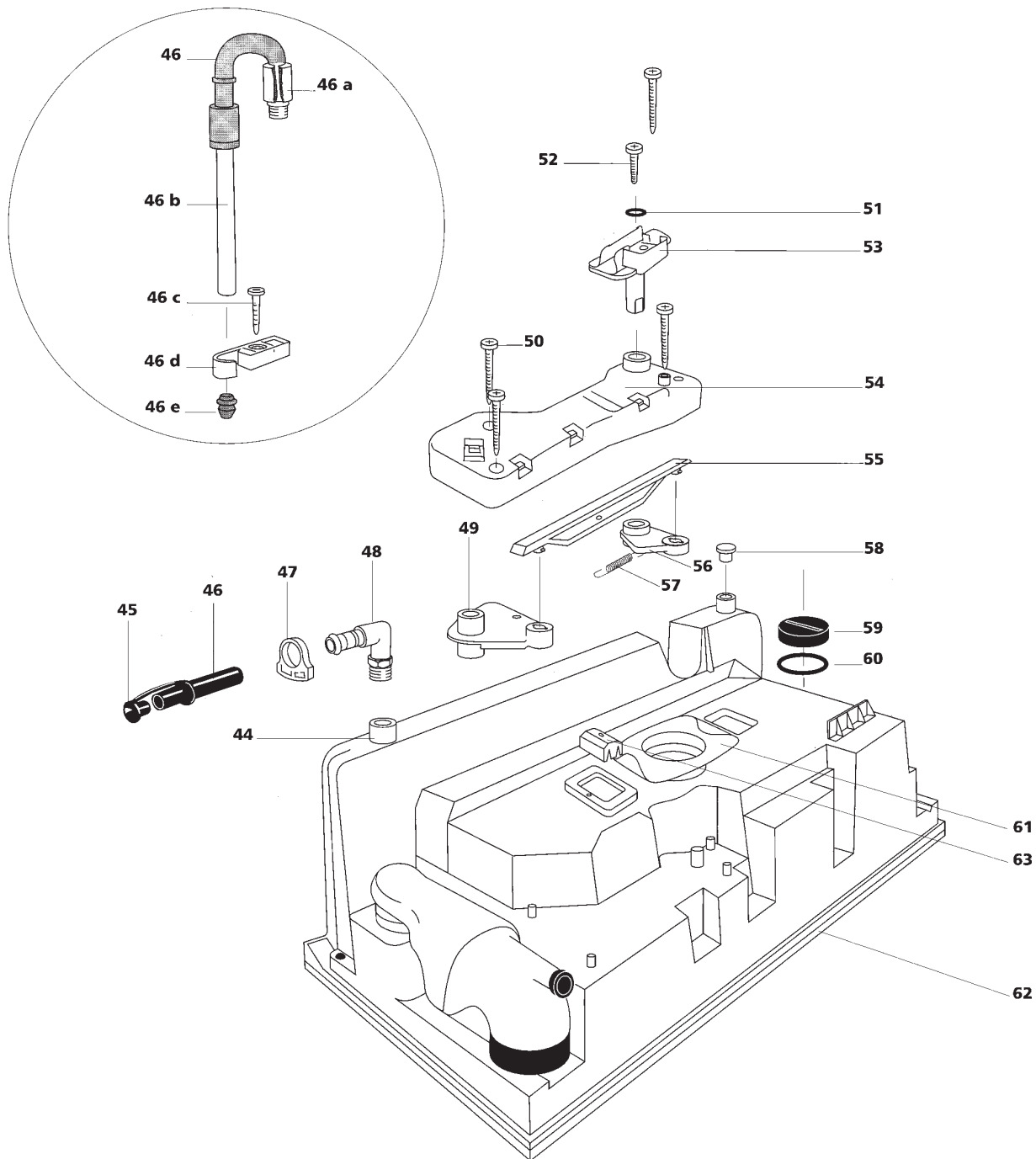


# C4



**Cassette C4 bench (LO-054.00)**

| Spare part                       | Single spare part number | Assembly spare part number | Available in colour number |
|----------------------------------|--------------------------|----------------------------|----------------------------|
| <b>44.</b> Connection draintube  |                          |                            |                            |
| <b>45.</b> Draintube plug        |                          | 16182                      |                            |
| <b>46.</b> Draintube             |                          |                            |                            |
| <b>46.</b> <b>A/E</b> Draintube* | LH=21370<br>RH=21371     |                            |                            |
| <b>47.</b> Clamp                 |                          |                            |                            |
| <b>48.</b> Adaptor draintube     |                          |                            |                            |
| <b>49.</b> Crank                 |                          | 20325                      | 74                         |
| <b>50.</b> Screw                 |                          |                            |                            |
| <b>51.</b> Washer                |                          |                            |                            |
| <b>52.</b> Screw                 |                          |                            |                            |
| <b>53.</b> Saddle                |                          |                            |                            |
| <b>54.</b> Mechanism housing     |                          |                            |                            |
| <b>55.</b> Link                  |                          |                            |                            |
| <b>56.</b> Crank                 |                          |                            |                            |
| <b>57.</b> Spring                |                          |                            |                            |
| <b>58.</b> Blind plug            |                          |                            |                            |
| <b>59.</b> Plug fill bottle      |                          |                            |                            |
| <b>60.</b> O-ring                |                          |                            |                            |
| <b>61.</b> Bowlflange            |                          |                            |                            |
| <b>62.</b> Bench/watertank       |                          |                            |                            |
| <b>63.</b> Magnet basket         |                          |                            |                            |

\*Toilets produced after March 1998