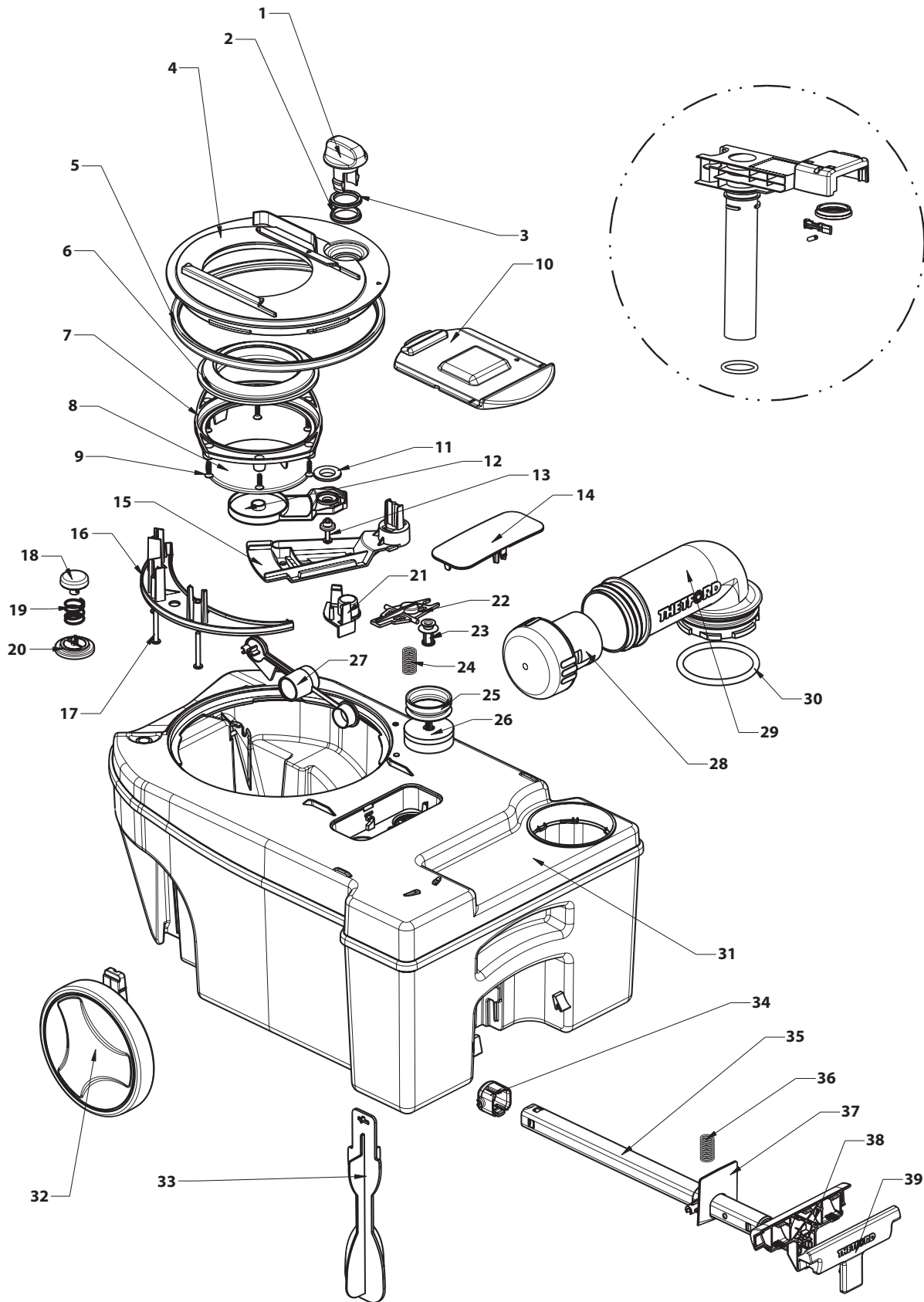
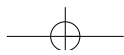


# C-250 Holdingtank



(LE-441)



## C-250 Holdingtank

	Single spare part number	Assembly spare part number	Available in colour number
1. Blade opener			
2. Seal		23743	92
3. Washer			
4. Holdingtank plate	50723		06
5. Seal mechanism	50724		
6. Lipseal	23721		
7. Blade arm driver			
8. Blade	50731		
9. Screw			
10. Sliding cover	50718		06
11. Bearing plate			
12. Blade arm			
13. Bushing/screw			
14. Vent lid	50741		06
15. Blade driver			
16. Support track			
17. Screw			
18. Vent button			
19. Spring		07524	92
20. Vent seal			
21. Retainer mechanism			
22. Vent lifter			
23. Vent pivot			
24. Vent spring		50732	
25. Seal vent			
26. Float stem			
27. Float	50725		
28. Measuring cup	25810		06
29. Pour out spout		50719	92
30. O-ring			
31. Holdingtank		50700	06
Holdingtank waste transfer		50701	06
32. Wheel	50726		
33. Vent actuator			
34. Bracket			
35. Telescopic system			
36. Vent spring		50728	
37. Guide			
38. Handle grip			
39. Handle cover			

SC 250 Holdingtank mechanisme 50727-06