

17*

TRIFLEX Model No. <input type="text"/> Type <input type="text"/>	
Serie No. <input type="text"/>	
230 VAD 150-160 Hz 50/60 Hz 13 VDC 140 W	
Gross Volume Netto Volume Volume Drink Volume Water	108 L 108 L 108 L 108 L
Energy/Wattage Consumption (kWh) Volume Class Volume	
108 kWh/100 l 108 kWh/100 l 108 kWh/100 l 108 kWh/100 l	
Year Volume (l) Volume (l)	
108 108 108	
CE E013N1000611	
CE 013N1000611	
ORDER No. 104.9 g MAX. Wt. 10.5 g d max = 21 mm	
CE 013N1000611 Part No. 034027	
CE 013N1000611 Part No. 034027	

LE895_N3150-front_1015-V04

		Spare part number	Spare part number	Spare part number	Colours available
1	Storage strap (2x)	626986	< 24-04-2018 < (E114V.....) 62698527 ** (framed & frameless door)	≥ 24-04-2018 ≥ (E114V.....) 62698527 ** (framed door)	27
2	Latch				
3	Strike plate				
4	Pocket cover				
5	Hinge center				
6	Hinge plate				
7	Cap (2x)	623622			08
8	Cap freezer bolt (6x)	624479			08
9	Shelf freezer 405 x 188.5	690836			08
10	Ice cube tray				
11	Control panel	<i>Refer to page 42</i>			
12	Fin				
13	Shelf 428.5 x 158	690837			08
14	Clip shelf small	623626			08
15	Fin clip			623077	
16	Thermistor				
17	Identification label *				
18	Shelf 427.5 x 218.3	690838			08
19	Clip shelf large	623625			08
20	Vegetable bin	690829			08
21	Latch bottom	624001			27
22	Hinge plate				
23	Door bin	690842			08
24	Bottle retainer	626989			12
25	Door bin curved shallow	690841			08
26	Shelf food retainer	691188			08

xxxxxx = not available anymore

* With a request for information or service, always provide the serial number of the refrigerator. The serial number is the code below the barcode on the identification label.

**

62698527



69173927



		Spare part number	Spare part number	Spare part number	Colours available
1	Storage strap (2x)	626986	< 24-04-2018 < (E114V.....)	≥ 24-04-2018 ≥ (E114V.....)	27
2	Latch		62698527 **	62698527 ** (framed door)	
3	Strike plate		(framed & frameless door)	69173927 ** (frameless door)	
4	Pocket cover				
5	Hinge center				
6	Hinge plate				08
7	Cap (2x)	623622			08
8	Cap freezer bolt (6x)	624479			08
9	Ice cube tray				
10	Control panel	Refer to page 42			
11	Shelf rack 415 x 150	692510			144
	Clip shelf rack small	692513			08
	Clip rack safety lock	692515			08
12	Shelf rack 415 x 200	692511			144
13	Clip shelf rack large	692514			08
14	Clip rack safety lock	692515			08
15	Food retainer	692516			08
16	Shelf rack 415 x 200	692511			144
	Clip shelf rack large	692514			08
	Clip rack safety lock	692515			08
17	Vegetable bin right	692523			144
18	Vegetable bin left	692522			144
19	Hinge Plate				
20	Door bin curved	692520			144
21	Bottle retainer	692521			08
22	Fin				
23	Fin clip (3x)			623077	
24	Thermistor				
25*	Identification label				
26	Bottom latch	624001			27

* With a request for information or service, always provide the serial number of the refrigerator. The serial number is the code below the barcode on the identification label.

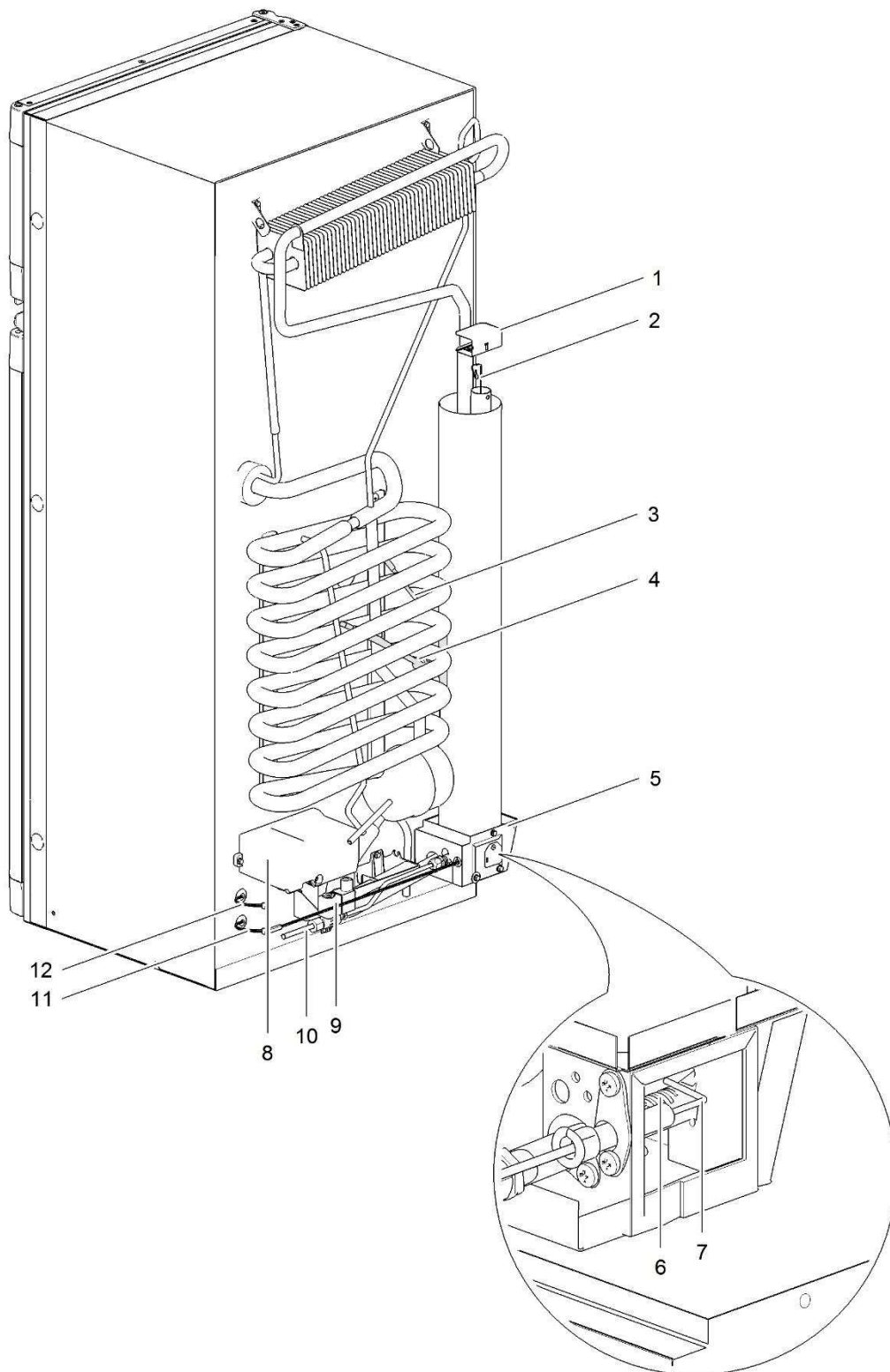
**

62698527

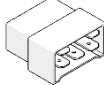
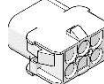


69173927





LE1001_N3145-N3150-N3170-N3175-back

		Spare part number	Spare part number	Colours available
1	Heat cap	690839		
2	Heat diffuser	690879		
3	Heater AC	633573		
4	Heater DC	633572		
5	Heater box			
6	Burner assembly	623058		
7	Spark electrode	690840		
8	Power control board			
		691138	691139	
	< 20-06-2015 (E171S.....)	692234	692234	
		<i>LED version kit¹</i>	<i>LCD version kit²</i>	
	≥ 20-06-2015 (E171S.....)	692247	(old SR 691101 is not available any more)	
9	Gas valve	690810		
10	Gas pipe			
11	Thermistor cable			
	Loose connector temperature <i>power board side</i>	690855	690853	
12	Communication cable			
	Loose connector communication	690856	690854	
<i>not depicted</i>	Power cable 12V HC/LC	692906		
<i>not depicted</i>	12V Power Cable MATE-N-LOK	692907		

¹ LED version kit contains:

- Power control board
- PCB LED display module
- Sticker LED
- Overlay LED
- Conversion cable

² LCD version kit contains:

- Power control board
- PCB LCD display module
- Sticker LCD
- Conversion cable

XXXXXX = not available anymore